

HARDIN
MARINE

11 Industry Dr. Palm Coast, FL 32137
386-445-2500 / FAX 386-445-1122

PART NO.
625-4100i

USES REBUILD KITS:
625-4189 STD REBUILD KIT
625-4174 MASTER REBUILD KIT

TITLE:
BBC GEN 4 STARBOARD MOUNT SEA PUMP

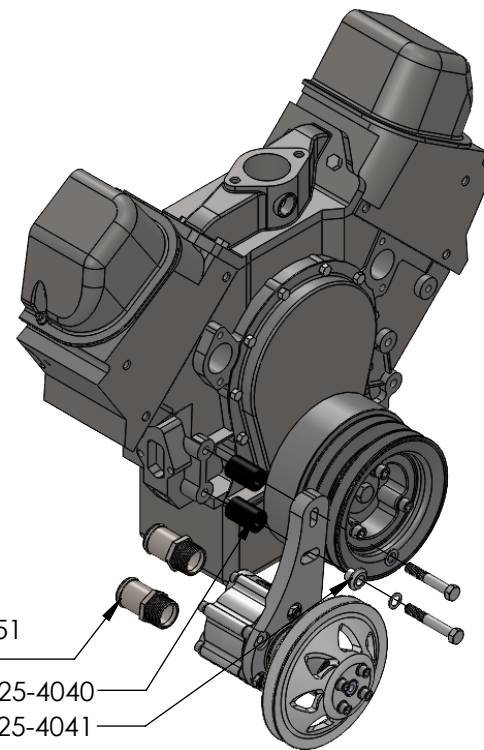
www.hardin-marine.com

INSTALLATION INSTRUCTIONS:

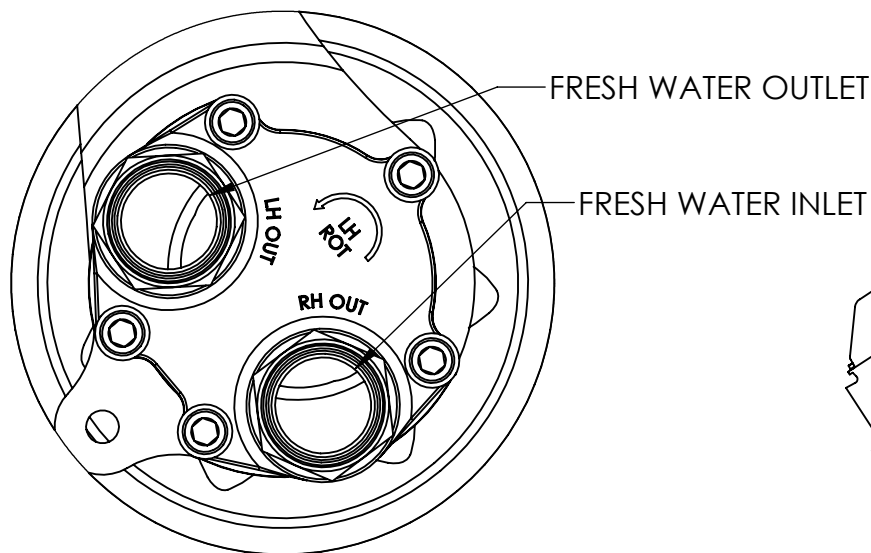
- 1) INSTALL 625-4040 SPACERS INTO THE BACK OF THE SEA PUMP BRACKET.
- 2) INSTALL 7/16 x 2-1/2 LONG BOLT WITH WASHER INTO THE UPPER HOLE.
- 3) INSTALL 7/16 x 2-3/4 LONG BOLT WITH 625-4041 HAT WASHER AND 7/16 AN WASHER INTO THE BOTTOM HOLE.
- 4) THIS SEA PUMP WILL USE 625-2330 BELT.
- 5) USING 5/8 SOCKET TORQUE BOLTS TO 45 FT. LBS..
- 6) PUMP SHOWN WITH 540-222151 FITTINGS IN THE BACK OF THE SEA PUMP. INSTALL FITTINGS USING LIQUID PIPE THREAD SEALANT.
- 7) DETAIL A, SHOWN THE FRESH WATER INLET & OUTLET POSITION ON A STANDARD ROTATION ENGINE. FOR REVERSE ROTATION ENGINE, THE BUNG THAT IS LABELED "RH OUT" WOULD BE THE FRESH WATER OUTLET.

SHOWN WITH OPTIONAL 540-222151
1" NPT x 1-1/4 BARB FITTINGS.

625-4040
625-4041



**WARNING: WILL NOT WORK
WITH CIRCULATING PUMP.**



DETAIL A
SCALE 1 : 2
STANDARD ROTATION

