



**SINGLE & DUAL DTS  
N-CONTROL FOOT PEDAL  
620-60190 & 620-60191**





**SINGLE & DUAL DTS  
N-CONTROL FOOT PEDAL  
620-60190 & 620-60191**

Hardin Marine is recognized as the world leader in marine controls. With the evolution of the all new DTS applicable N-Control Foot Throttle assemblies we are bringing precision state of the art design technology to the boating world.

The new single and dual pedal DTS Foot Throttle assemblies are manufactured from premium aerospace grade 6061 Aluminum. Each assembly is CNC machined for precision accuracy..The popularity of these pedal assemblies is due to the smooth effortless operation of the pedals.

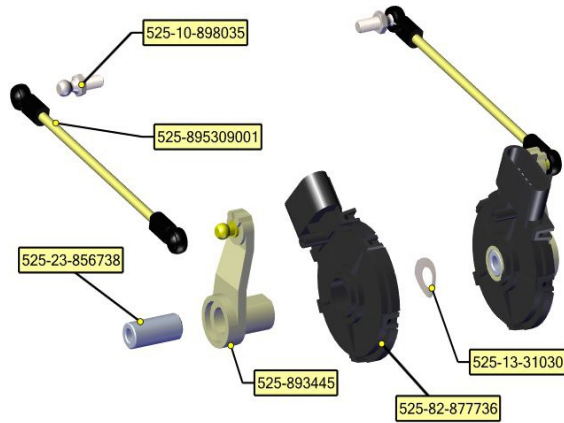
Each N-Control foot throttle assembly is engineered to accept all DTS actuation OEM Original Mercruiser parts (Sold Separately).

**NOTICE THIS THROTTLE REQUIRES ELECTRONIC  
CALIBRATION BEFORE USE!**

Installation of this throttle will require calibration. This calibration must not be attempted by anyone other than the Original Equipment Manufacturer (OEM) or a Mercury technician trained in Digital Throttle and Shift systems (DTS) at an authorized Mercury dealership. Improper installation and calibration of the DTS throttle will result in a system which is inoperable or unsafe for use, and could also cause damage to the product or personal injury to those installing or operating the throttle.



# SINGLE & DUAL DTS N-CONTROL FOOT PEDAL 620-60190 & 620-60191



## Mercury Parts

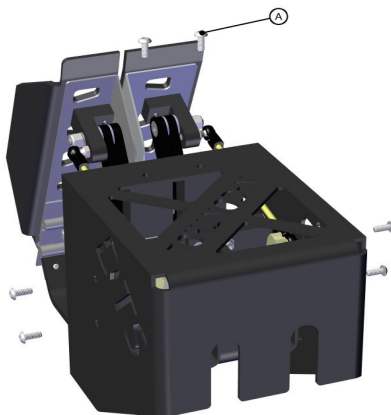
- These are the parts that need to be purchased from Mercury Marine to complete the assembly. For the single control only purchase 1 of each part number. For dual control purchase 2 of each.

- Not shown is 84-884509A02 harness.

## Step 1

- Use a 5/32 allen key and remove the bolts to hold the cover on.

- Single control will only have 5 bolts. There will only be 1 bolt on the top, shown by Fig. A.

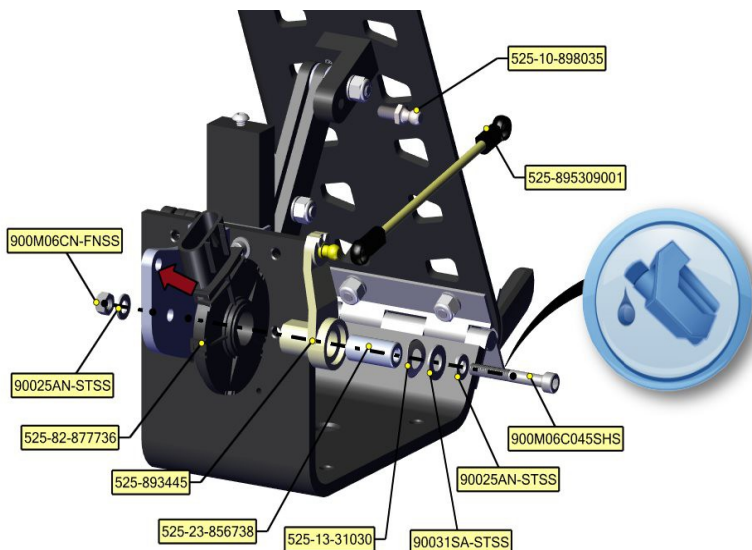


## Step 2 - Single Control

- Apply anti seize to the supplied 6mm bolt.

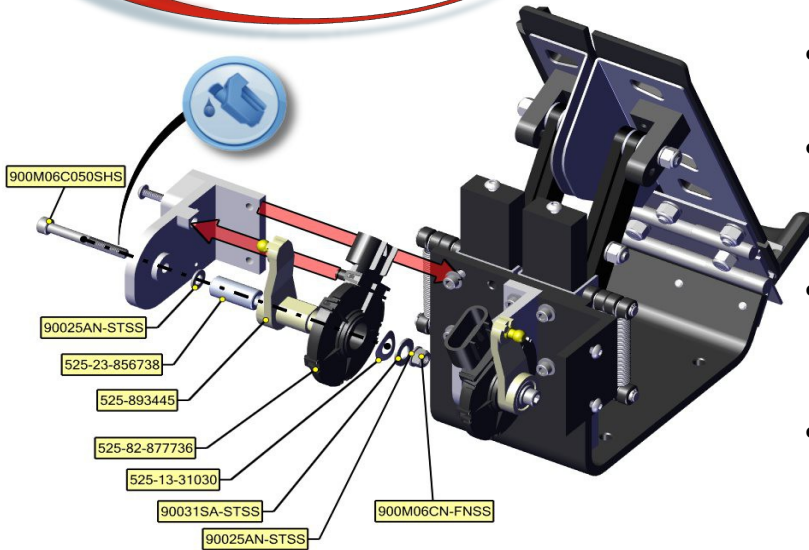
- Using the diagram, mount sensor and lever to the bracket.

- Do not over tighten. Lever must be able to rotate smoothly.

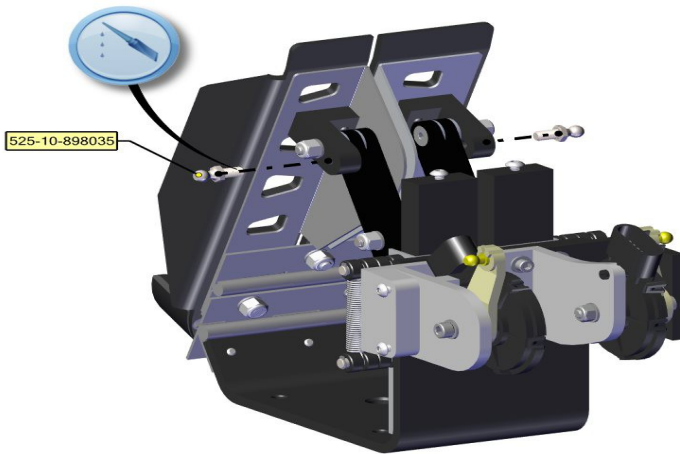




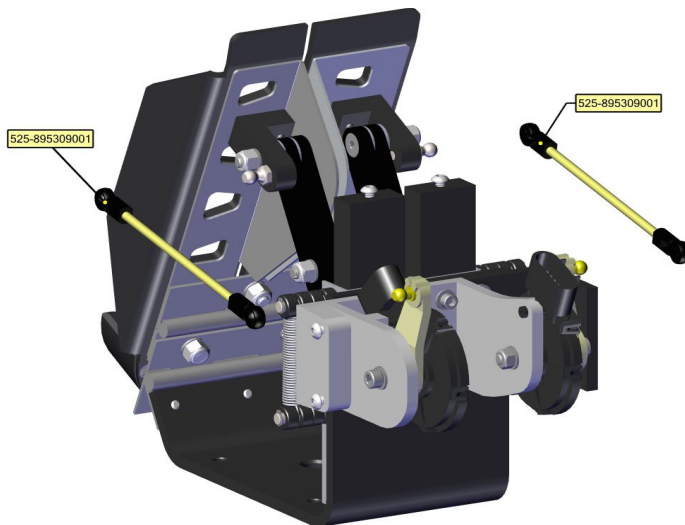
# SINGLE & DUAL DTS N-CONTROL FOOT PEDAL 620-60190 & 620-60191



- Step 2 - Dual Control
- Apply anti seize to the supplied 6mm bolt.
- Using the diagram, mount sensor and lever to the bracket.
- Do not over tighten. Lever must be able to rotate smoothly.



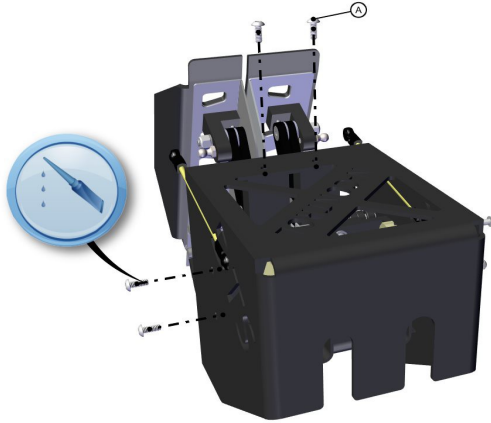
- Step 3
- Apply loctite to the 10-898035 ballscrew threads.
- Install into support arm. Torque to 40 inch lbs..
- See step 2- single control for proper location.



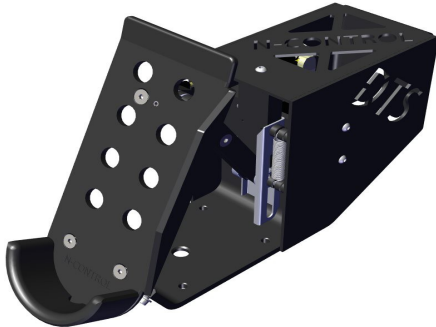
- Step 4
- Install 89-5309001 rod.



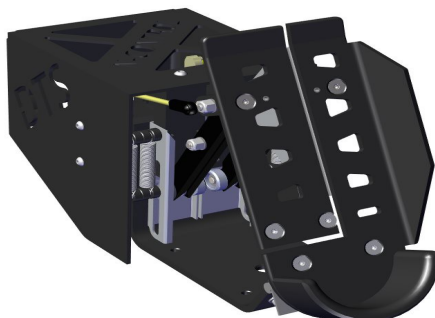
## SINGLE & DUAL DTS N-CONTROL FOOT PEDAL 620-60190 & 620-60191



- Step 5
- Apply loctite to the cover bolts.
- Install cover. Torque bolts to 80 inch lbs..



- Step 6
- Control is ready to install.
- Use the attached dimension drawings to find the proper location that has adequate clearance for the DTS foot control.
- Use the foot pedal base as template to mark the mounting holes.



- Drill four 5/32 holes.
- Use #12 screws and washers (not supplied with the kit) to attach.
- Connect the 84-884509A02 harness to the sensors. Calibrate per Mercruiser requirements.

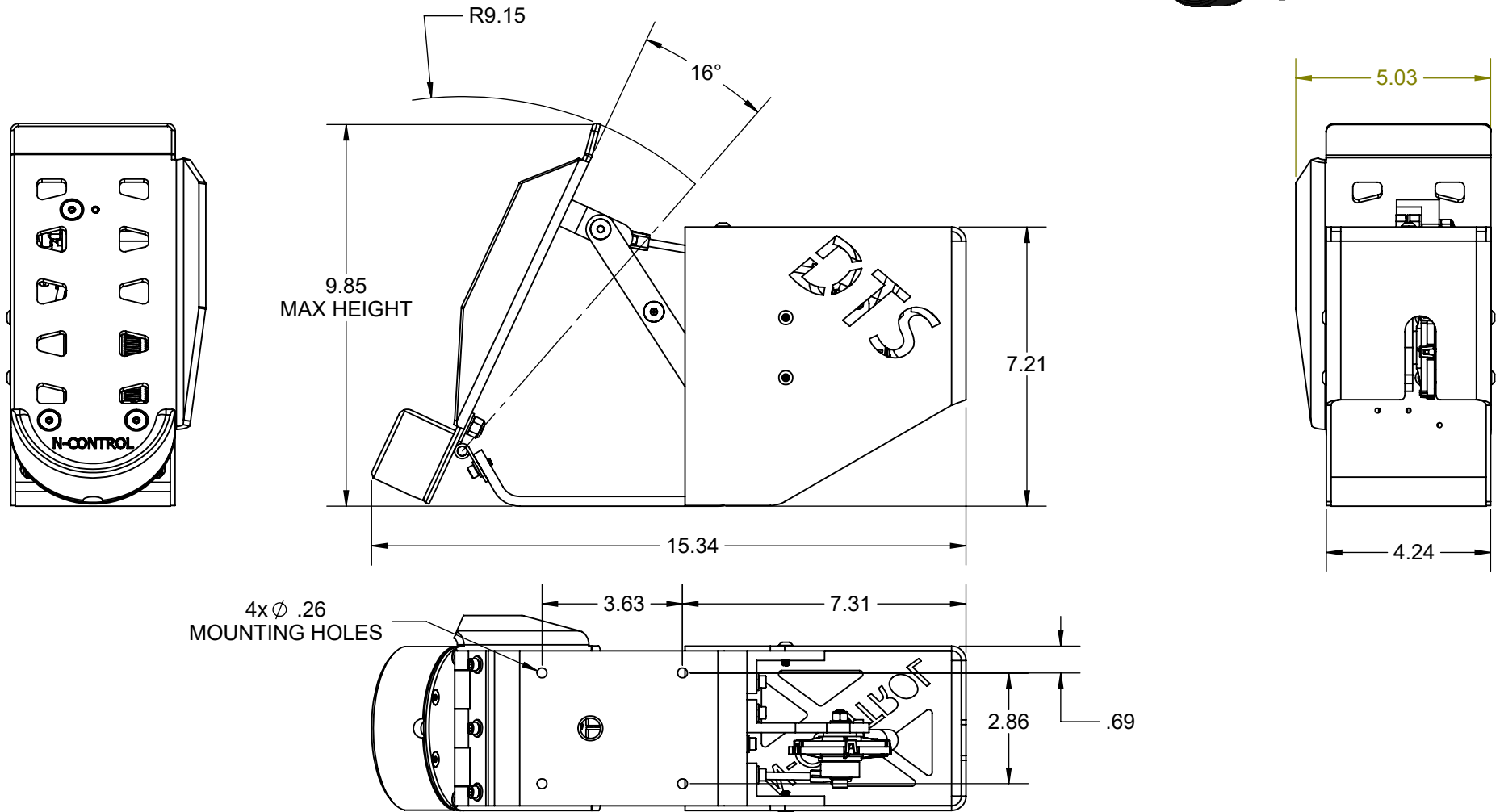
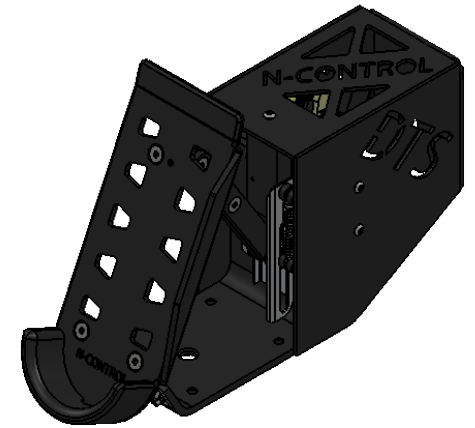


HARDIN MARINE 11 Industry Dr. Palm Coast, FL 32137  
386-445-2500 / FAX 386-445-1122

PART NO.  
620-60190

TITLE:  
SINGLE N CONTROL DTS FOOT THROTTLE

[www.hardin-marine.com](http://www.hardin-marine.com)



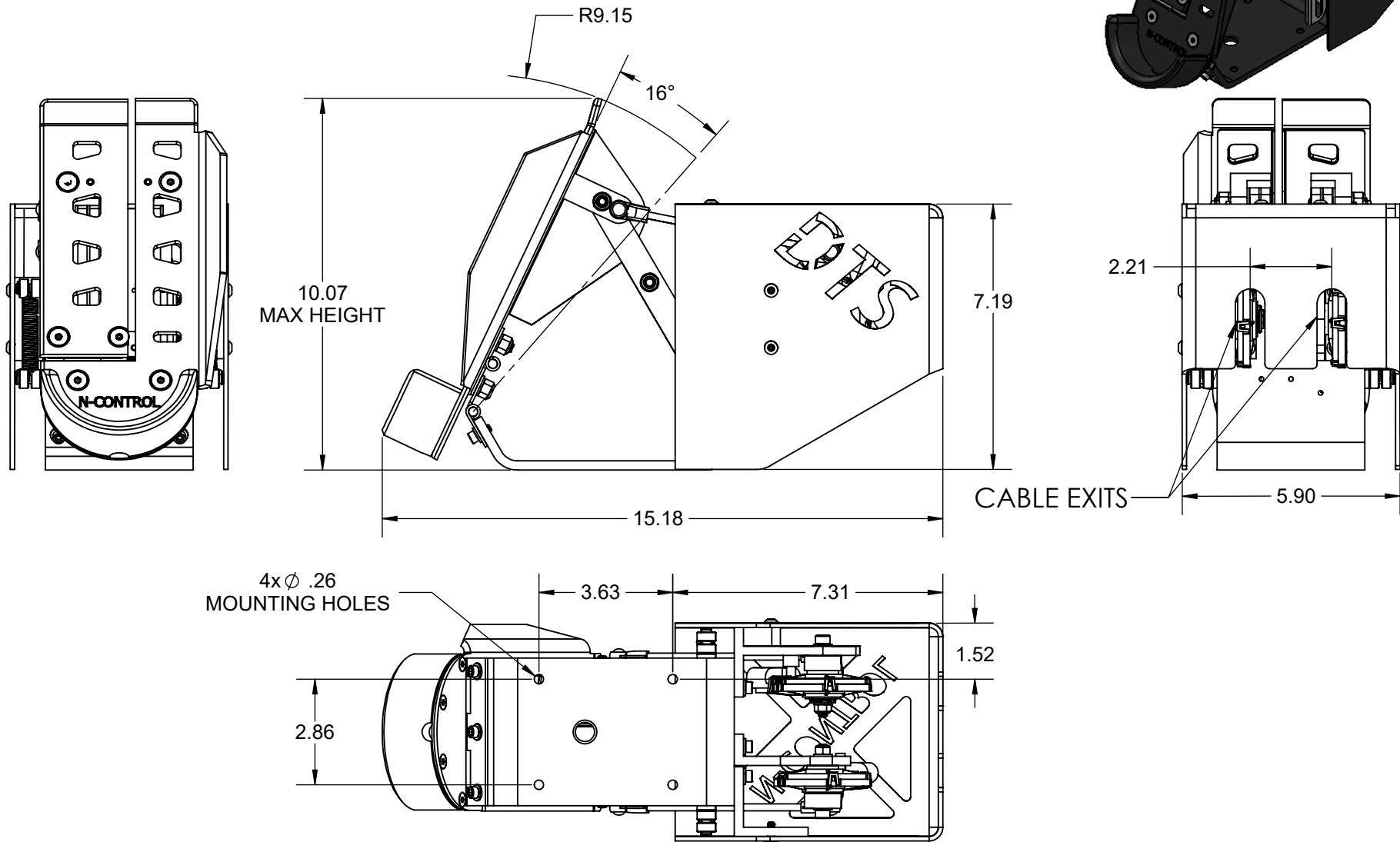
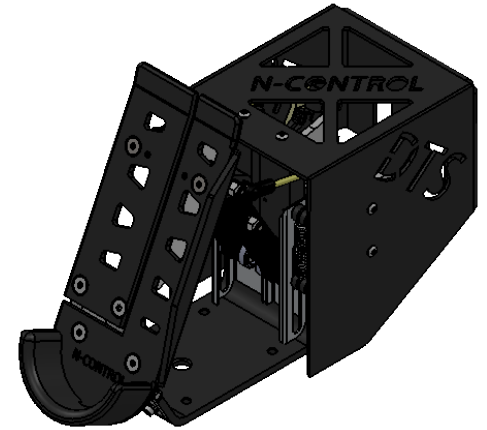
THIS DRAWING IS CONFIDENTIAL AND IS SUPPLIED ON EXPRESS CONDITION THAT IT SHALL NOT BE LENT, COPIED OR DISCLOSED TO ANY OTHER PERSON OR USED FOR ANY OTHER PURPOSE WITHOUT WRITTEN CONSENT OF HARDIN MARINE INC.. BREACH OF THIS CONTRACT WILL HOLD ..... AND IT'S PRINCIPALS LIABLE FOR LOSS AND DAMAGES.

HARDIN MARINE 11 Industry Dr. Palm Coast, FL 32137  
386-445-2500 / FAX 386-445-1122

PART NO.  
620-60191

TITLE:  
DUAL N CONTROL DTS FOOT THROTTLE

[www.hardin-marine.com](http://www.hardin-marine.com)



THIS DRAWING IS CONFIDENTIAL AND IS SUPPLIED ON EXPRESS CONDITION THAT IT SHALL NOT BE LENT, COPIED OR DISCLOSED TO ANY OTHER PERSON OR USED FOR ANY OTHER PURPOSE WITHOUT WRITTEN CONSENT OF HARDIN MARINE INC.. BREACH OF THIS CONTRACT WILL HOLD ..... AND IT'S PRINCIPALS LIABLE FOR LOSS AND DAMAGES.