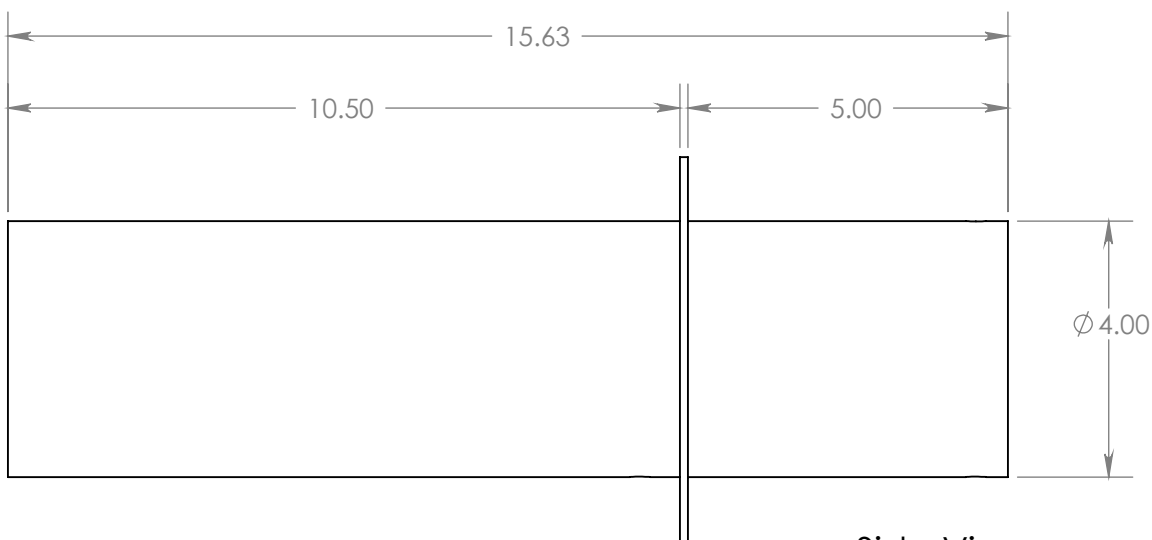
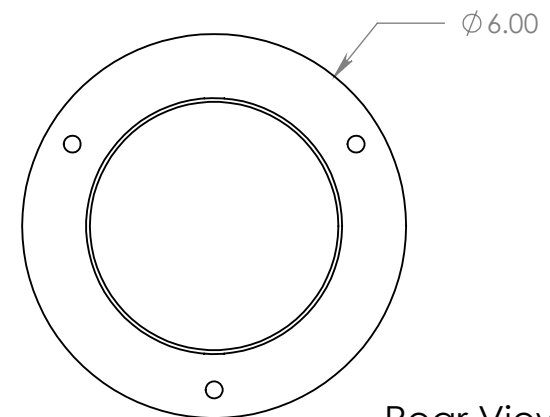


Top View



Side View



Rear View

UNLESS OTHERWISE SPECIFIED DIMENSIONS ARE IN INCHES. TOLERANCES ARE: DECIMALS .XXX ±.005 ANGLES .XX ±1°		IMCO	
		4" STRAIGHT CUT	
MATERIAL	S/S	DATE	8/22/11
FINISH	Polished	DRAWN	RT
DWG. NO.	02-6340	REV.	A
CAD FILE:	02-6340	SHEET 1 OF 1	