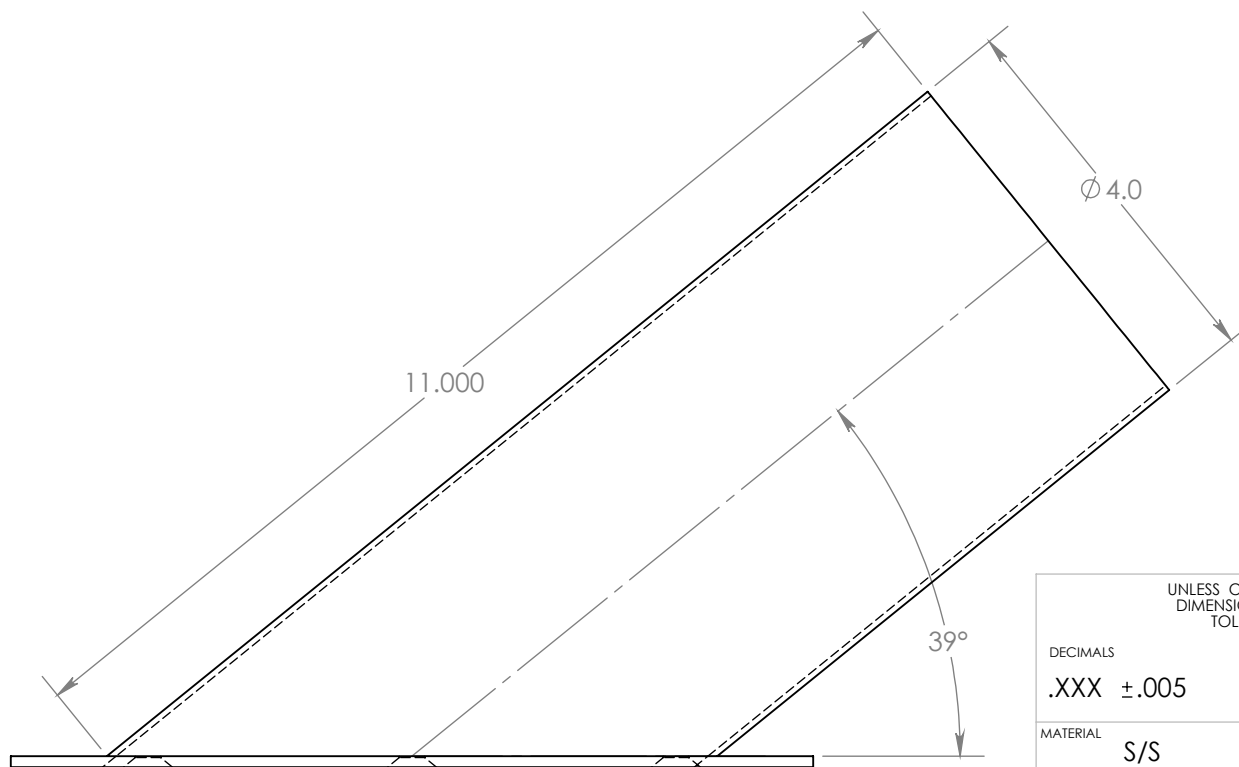


1/4" Counter Sunk
Holes (Fastners not
included)



UNLESS OTHERWISE SPECIFIED
DIMENSIONS ARE IN INCHES.
TOLERANCES ARE:

DECIMALS

.XXX ±.005

ANGLES

.XX ±1°

MATERIAL

S/S

DATE

8/3/11

FINISH

Polish Flange

DRAWN

RT

IMCO

SIDE PORT EXHAUST TIP

DWG. NO.

02-6352

REV.

A

CAD FILE:

Exhaust tip 02-6352

SHEET 1 OF 1