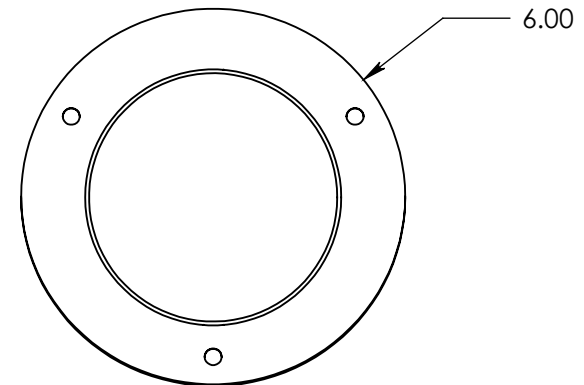
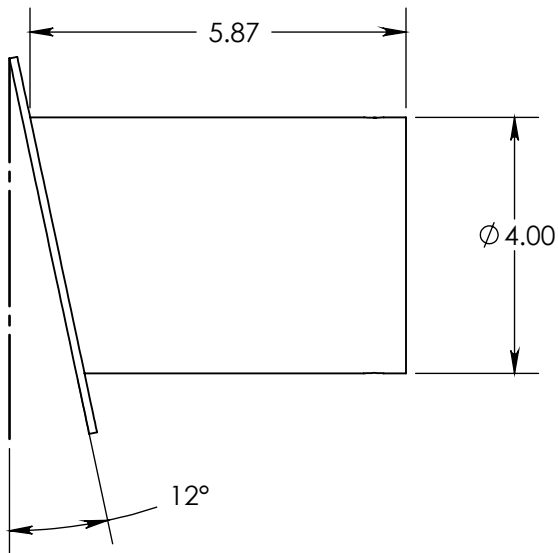
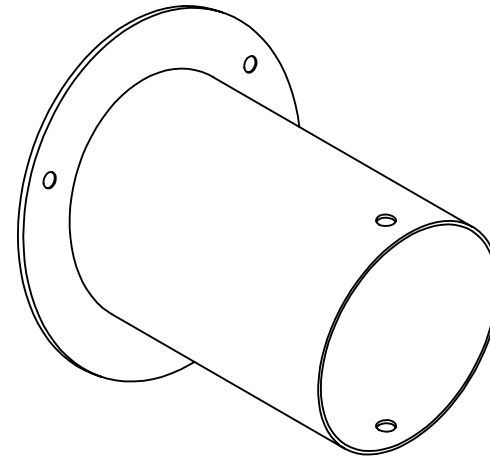
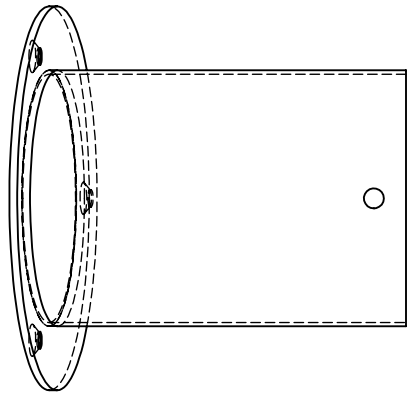


THE INFORMATION CONTAINED IN THIS DRAWING IS THE SOLE PROPERTY OF IMCO. ANY RE-PRODUCTION, IN PART OR WHOLE, WITHOUT THE WRITTEN PERMISSION OF IMCO IS PROHIBITED.



UNLESS OTHERWISE SPECIFIED DIMENSIONS ARE IN INCHES. TOLERANCES ARE:		IMCO	
DECIMALS .XXX ±.005	ANGLES .XX ±1°	4" FLUSH MOUNT 12 DEG	
MATERIAL S/S	DATE 8/22/11	DWG. NO. 02-6375	REV. A
FINISH Polished	DRAWN RT	CAD FILE: 02-6375	SHEET 1 OF 1