

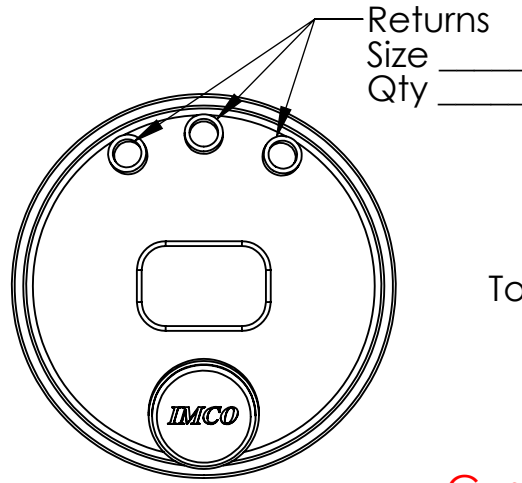
06-8004
 4 1/2 Gallon
 10" Dia. x 18" Tall
 Aluminum Bullet Tank



Phone: (800) 899-8058
 Fax: (909) 592-6052
 info@imcomarine.com

Standard Configuration

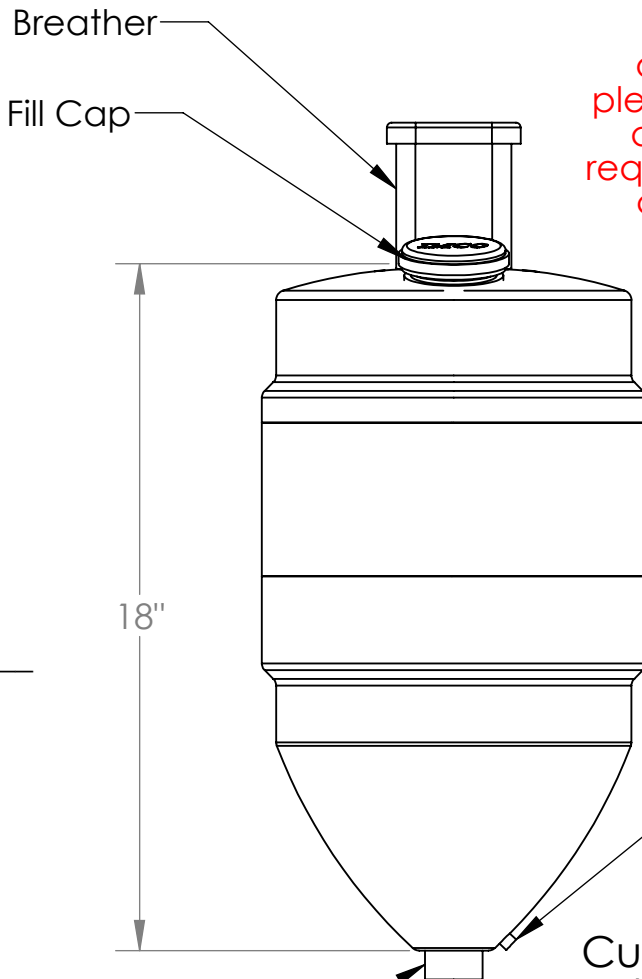
Fill cap in front of breather, returns behind breather; pickup at center bottom. (Shown with 3 returns) (Drain optional). Fittings are female npt, available in 1/4", 3/8", 1/2", 3/4" and 1". Size, number of returns as well as size of pickup are optional. They can be selected and ordered directly from the website. If configuration needs to be changed see: **"Custom Configuration"**.



Top View

Custom Configuration

IMCO fuel tanks can be custom made to order. If you require a location of fill cap, breather or returns, different then shown, please specify & note each location along with the size of fittings and requested quantity. Fax or email your custom order to the fax number or email address listed above.



Front View

Custom Size _____

18"

Pickup Size _____

Optional Drain (Not Standard) Size _____

Customer _____
 Address _____
 City _____
 State _____
 Zip Code _____
 Phone # _____