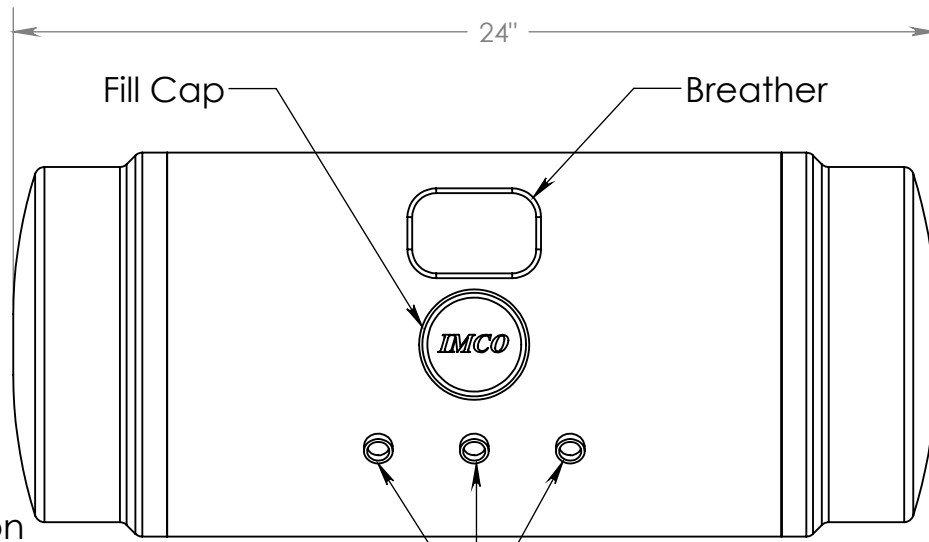
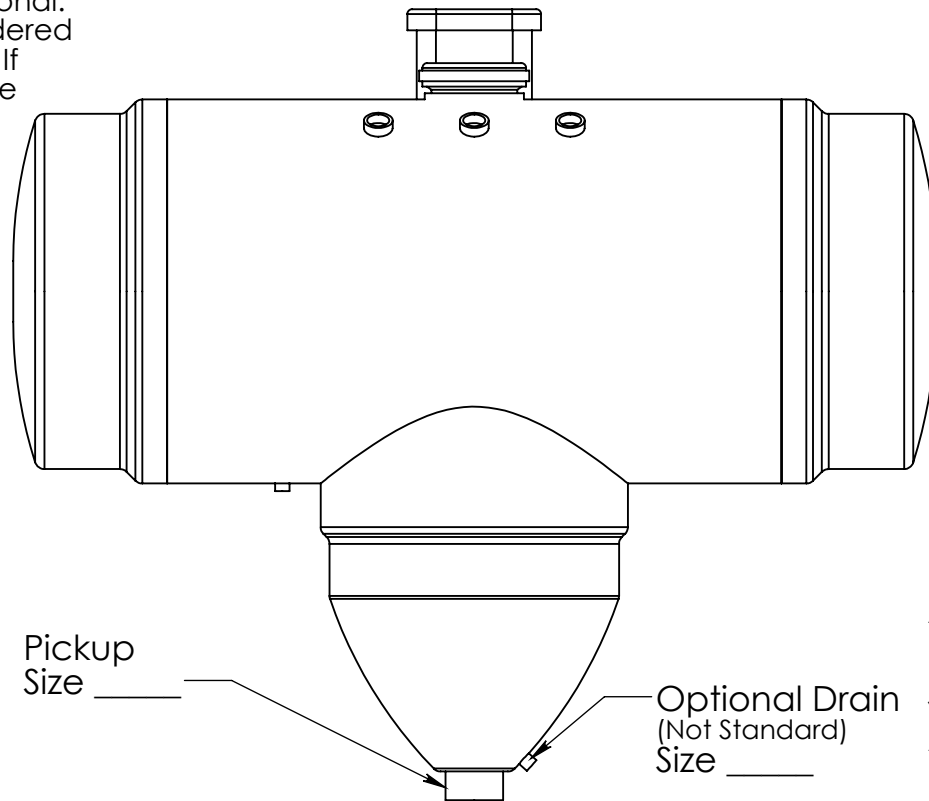


06-8014  
8 Gallon  
10" Dia. x 24" Long  
Aluminum "T" Tank



Standard Configuration

Fill cap  $\odot$  in front of breather, returns in front of fill cap; pickup at center bottom. (Shown with 3 returns) (Drain optional). Fittings are female npt, available in 1/4", 3/8", 1/2", 3/4" and 1". Size, number of returns as well as size of pickup are optional. They can be selected and ordered directly from the website. If configuration needs to be changed see: "Custom Configuration".



Top View

Front View

**IMCO**

Phone: (800) 899-8058  
Fax: (909) 592-6052  
info@imcomarine.com

**Custom Configuration**

IMCO fuel tanks can be custom made to order. If you require a location of fill cap, breather or returns, different then shown, please specify & note each location along with the size of fittings and requested quantity. Fax or email your custom order to the fax number or email address listed above.

Pickup Size \_\_\_\_\_

Optional Drain (Not Standard) Size \_\_\_\_\_

Returns Size \_\_\_\_\_ Qty \_\_\_\_\_

Customer \_\_\_\_\_  
Address \_\_\_\_\_  
City \_\_\_\_\_  
State \_\_\_\_\_  
Zip Code \_\_\_\_\_  
Phone # \_\_\_\_\_