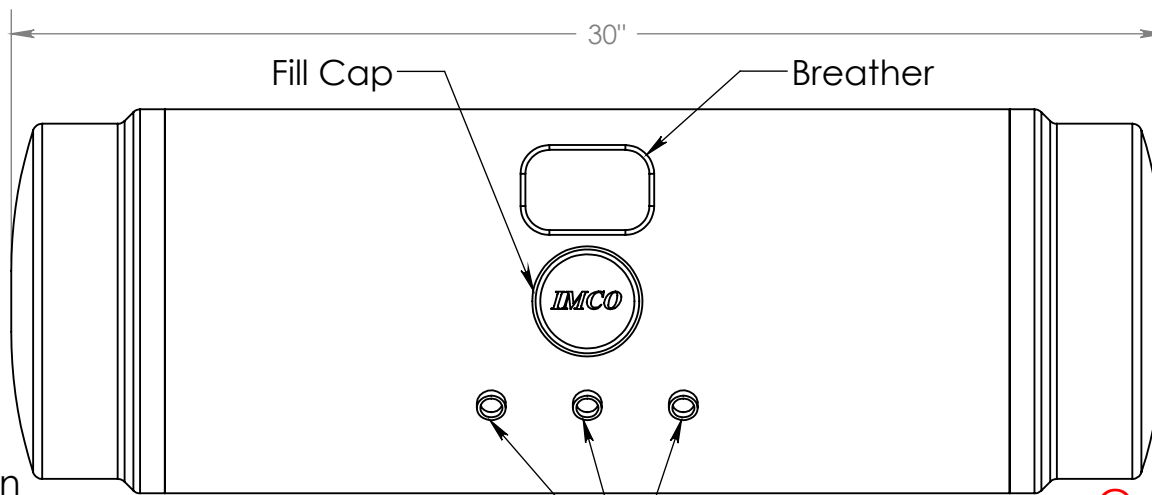


06-8015
10 Gallon
10" Dia. x 30" Long
Aluminum "T" Tank



IMCO

Phone: (800) 899-8058
Fax: (909) 592-6052
info@imcomarine.com

Top View

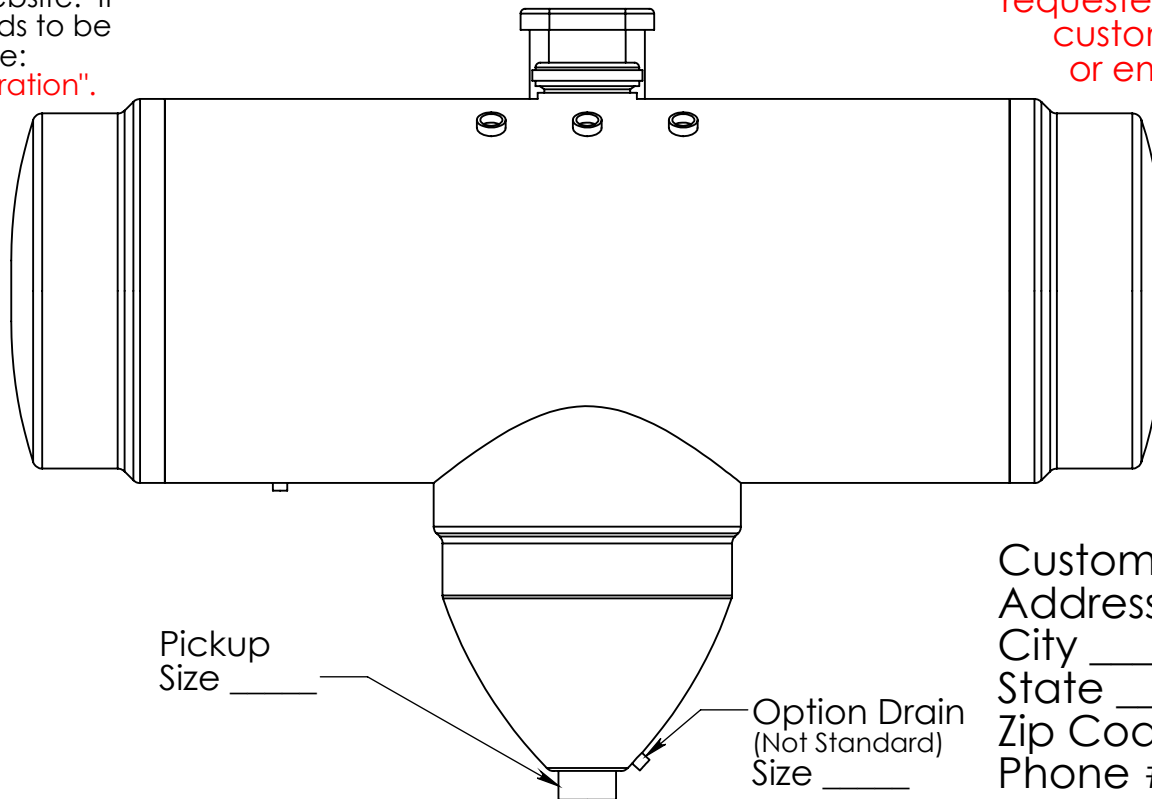
Standard Configuration

Fill cap \varnothing in front of breather, returns in front of fill cap; pickup at center bottom. (Shown with 3 returns) (Drain optional). Fittings are female npt, available in 1/4", 3/8", 1/2", 3/4" and 1". Size, number of returns as well as size of pickup are optional. They can be selected and ordered directly from the website. If configuration needs to be changed see: "Custom Configuration".

Custom Configuration

IMCO fuel tanks can be custom made to order. If you require a location of fill cap, breather or returns, different then shown, please specify & note each location along with the size of fittings and requested quantity. Fax or email your custom order to the fax number or email address listed above.

Returns
Size _____
Qty _____



Front View

Pickup
Size _____

Option Drain
(Not Standard)
Size _____

Customer _____
Address _____
City _____
State _____
Zip Code _____
Phone # _____