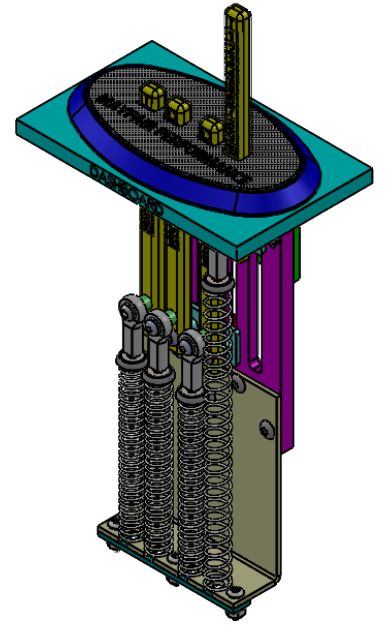
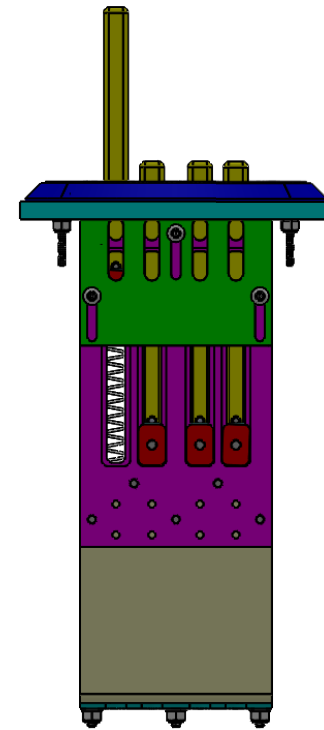
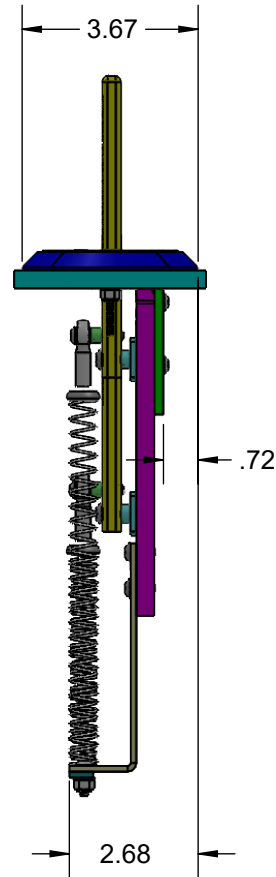
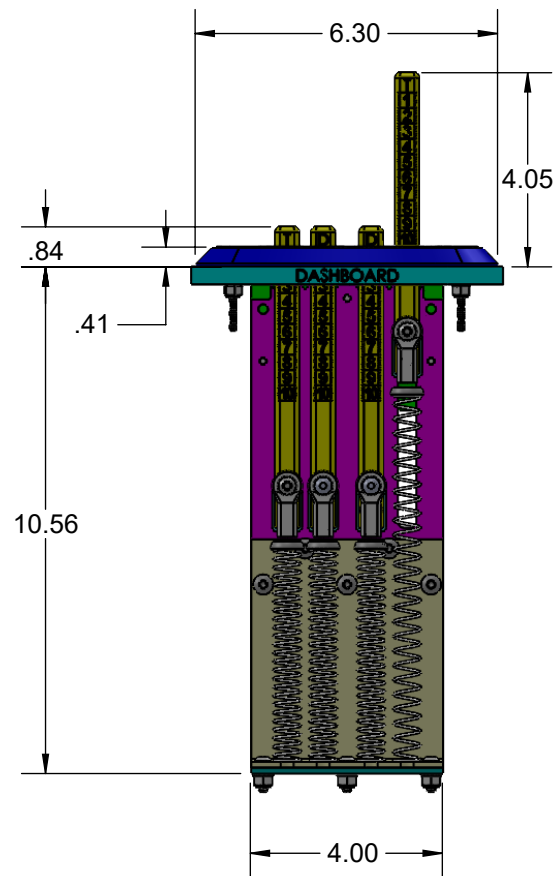
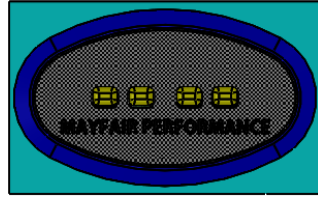


MAYFAIR PERFORMANCE

PART NO.  
137-8581

TITLE:  
MECHANICAL HEADS UP DISPLAY DIMENSIONS  
[www.mayfairperformance.com](http://www.mayfairperformance.com)



SAME DIMENSIONS FOR 1,2,3 & 4 STICK APPLICATIONS

THIS DRAWING IS CONFIDENTIAL AND IS SUPPLIED ON EXPRESS CONDITION THAT IT SHALL NOT BE LENT, COPIED OR DISCLOSED TO ANY OTHER PERSON OR USED FOR ANY OTHER PURPOSE WITHOUT WRITTEN CONSENT OF MAYFAIR PERFORMANCE INC.. BREACH OF THIS CONTRACT WILL HOLD ..... AND IT'S PRINCIPALS LIABLE FOR LOSS AND DAMAGES.

MAYFAIR PERFORMANCE

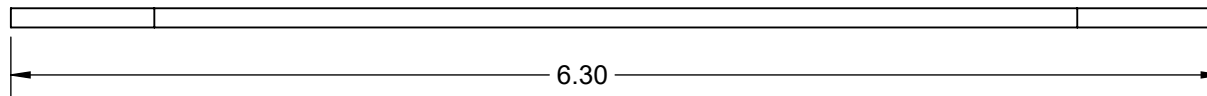
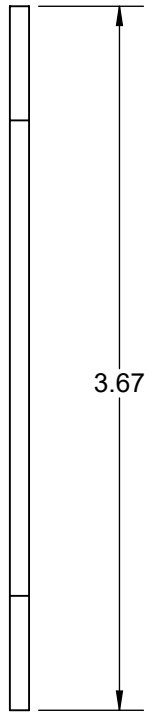
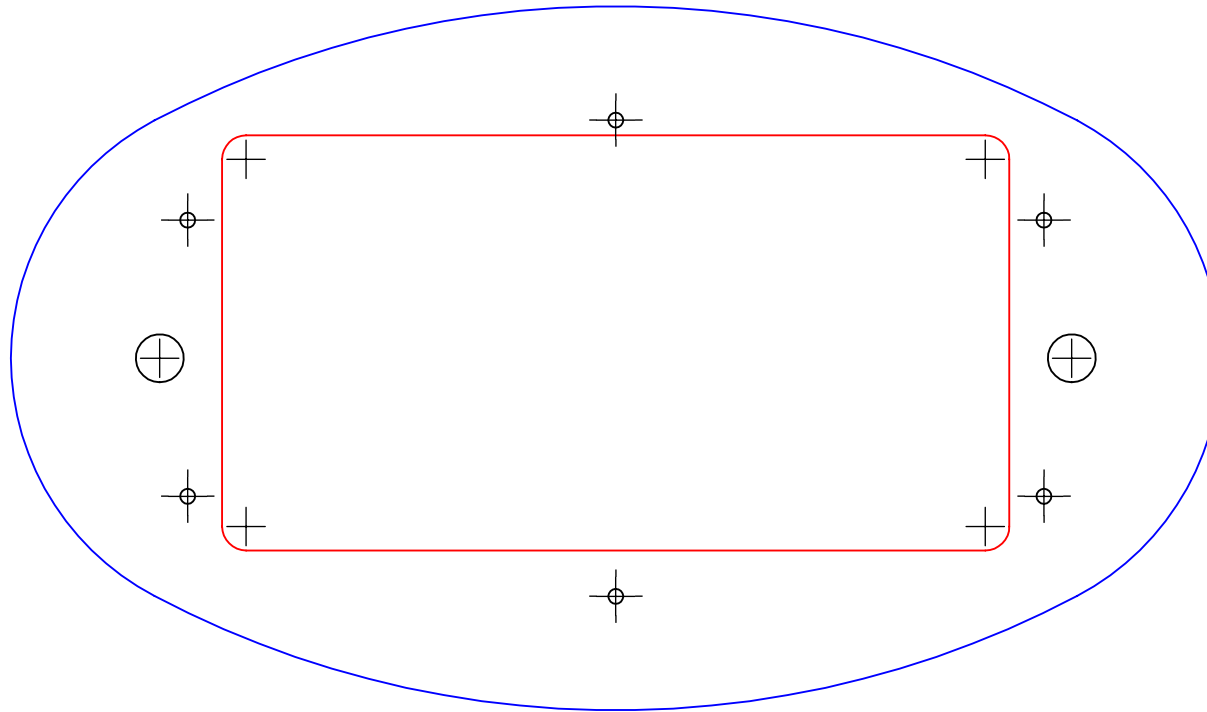
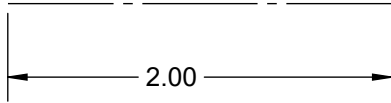
PART NO.  
137-8599

TITLE: HEADS UP INDICATOR THRU DASH  
INSTALLATION TEMPLATE

[www.mayfairperformance.com](http://www.mayfairperformance.com)

MAKE SURE THE PRINTER IS SET TO PRINT AT 100%  
SCALE. CHECK MEASUREMENT OF THE LINE BELOW.

ELECTRICAL AND MECHANICAL TEMPLATE INSTRUCTIONS:  
1) CUT ALONG THE BLUE LINE. THAT IS THE OUTSIDE PROFILE OF THE BEZEL. TAPE TO THE DASH.  
2) CENTER PUNCH THE 6 LARGER HOLES CENTER MARKS AND DRILL WITH  $\phi 1/4$  DRILL BIT.  
3) CENTER PUNCH THE 6 SMALLER HOLES CENTER MARKS AND DRILL WITH  $\phi 5/64$  DRILL BIT.  
4) USING A JIG SAW. CUT ALONG THE RED LINES TO REMOVE THE CENTER MATERIAL.



THIS DRAWING IS CONFIDENTIAL AND IS SUPPLIED ON EXPRESS CONDITION THAT IT SHALL NOT BE LENT, COPIED OR DISCLOSED TO ANY OTHER PERSON OR USED FOR ANY OTHER PURPOSE WITHOUT WRITTEN CONSENT OF MAYFAIR PERFORMANCE INC.. BREACH OF THIS CONTRACT WILL HOLD ..... AND IT'S PRINCIPALS LIABLE FOR LOSS AND DAMAGES.

MAYFAIR PERFORMANCE

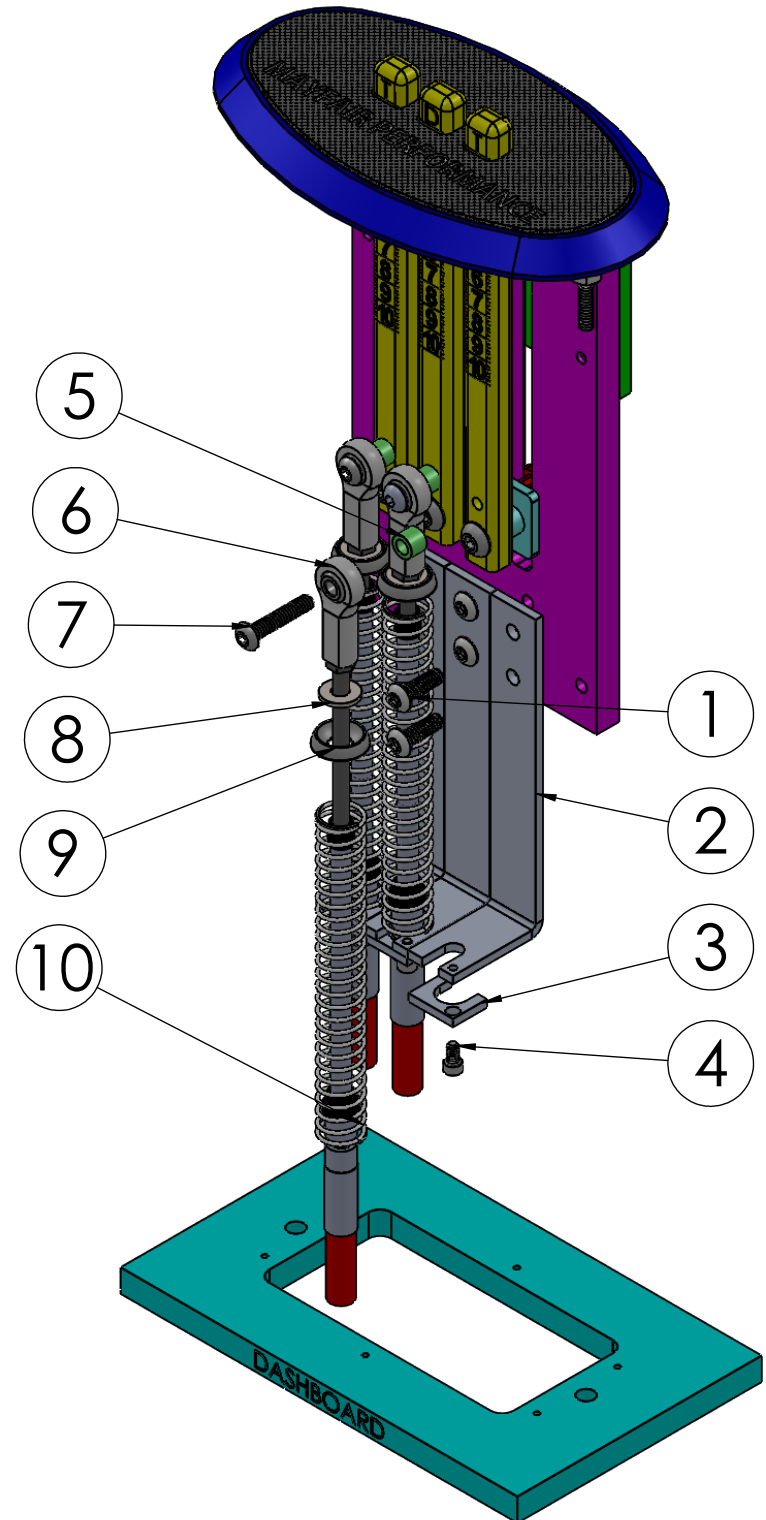
PART NO.  
137-8581

TITLE: MECHANICAL HEADS UP INDICATOR  
1 & 3 STICKS CABLE INSTALLATION

[www.mayfairperformance.com](http://www.mayfairperformance.com)

INSTALLATION INSTRUCTIONS:

- 1) AFTER THE DASH HAS BEEN CUTOUT AND HOLES DRILLED..
- 2) SLIDE THE CABLES UP THROUGH THE DASH.
- 3) REMOVE CABLE JAM NUT. SLIDE #10 SPRING, #9 SPRING CUP AND #8 WASHER OVER CABLE, AS SHOWN.
- 4) APPLY RED LOCTITE TO #1 SCREWS. USING 1/8 ALLEN SOCKET, INSTALL #2 BRACKET USING #1 SCREWS. TORQUE TO 60 IN. LBS..
- 5) APPLY ANTI-SIEZE TO CABLE THREADS. INSTALL CABLE JAM NUT AND #6 ROD END TILL THE THREAD BOTTOMS OUT..
- 6) USING 1/8 ALLEN SOCKET & #7 SCREW. INSTALL ROD END TO THE STICK. MAKE SURE TO POSITION #5 SPACER BETWEEN THE ROD END AND THE STICK, AS SHOWN.
- 7) ADJUST CABLES.
- 8) AFTER ADJUSTING CABLE. REMOVE #7 SCREW. APPLY BLUE LOCTITE AND TORQUE TO 40 INCH LBS.
- 9) APPLY ANTI-SIEZE TO #4 BOLTS. USING 7/64 HEX SOCKET #3 ATTACH CABLE BRACE TO THE BOTTOM SIDE OF THE BRACKET. TORQUE TO 60 IN. LBS..



THIS DRAWING IS CONFIDENTIAL AND IS SUPPLIED ON EXPRESS CONDITION THAT IT SHALL NOT BE LENT, COPIED OR DISCLOSED TO ANY OTHER PERSON OR USED FOR ANY OTHER PURPOSE WITHOUT WRITTEN CONSENT OF MAYFAIR PERFORMANCE INC.. BREACH OF THIS CONTRACT WILL HOLD ..... AND IT'S PRINCIPALS LIABLE FOR LOSS AND DAMAGES.

MAYFAIR PERFORMANCE

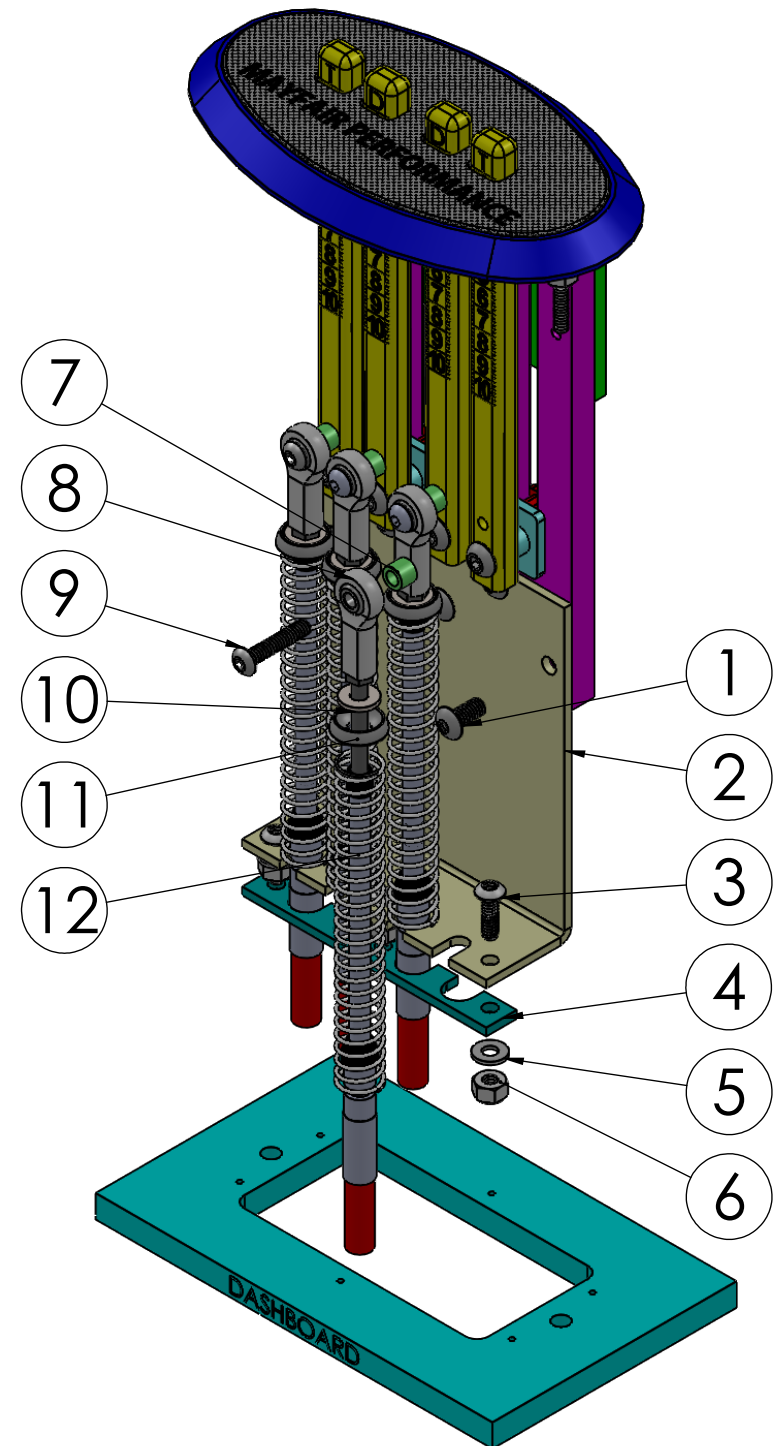
PART NO.  
137-8581

TITLE: MECHANICAL HEADS UP INDICATOR  
2 & 4 STICKS CABLE INSTALLATION

[www.mayfairperformance.com](http://www.mayfairperformance.com)

INSTALLATION INSTRUCTIONS:

- 1) AFTER THE DASH HAS BEEN CUTOUT AND HOLES DRILLED.
- 2) SLIDE THE CABLES UP THROUGH THE DASH.
- 3) REMOVE CABLE JAM NUT. SLIDE #12 SPRING, #11 SPRING CUP AND #10 WASHER OVER CABLE, AS SHOWN.
- 4) APPLY RED LOCTITE TO #1 SCREWS. USING 1/8 ALLEN SOCKET, INSTALL #2 BRACKET USING #1 SCREWS. TORQUE TO 60 IN. LBS..
- 5) APPLY ANTI-SIEZE TO CABLE THREADS. INSTALL CABLE JAM NUT AND #8 ROD END TILL THE THREAD BOTTOMS OUT..
- 6) USING 1/8 ALLEN SOCKET & #9 SCREW. INSTALL ROD END TO THE STICK. MAKE SURE TO POSITION #7 SPACER BETWEEN THE ROD END AND THE STICK, AS SHOWN.
- 7) ADJUST CABLES.
- 8) AFTER ADJUSTING CABLE. REMOVE #9 SCREW. APPLY BLUE LOCTITE AND TORQUE TO 40 INCH LBS.
- 9) APPLY ANTI-SIEZE TO #3 BOLTS. USING 1/8 HEX SOCKET AND 3/8 SOCKET. ATTACH #4 CABLE BRACE TO THE BOTTOM SIDE OF THE BRACKET. INSTALL #5 WASHER AND #6 NUTS. TORQUE TO 60 IN. LBS..



THIS DRAWING IS CONFIDENTIAL AND IS SUPPLIED ON EXPRESS CONDITION THAT IT SHALL NOT BE LENT, COPIED OR DISCLOSED TO ANY OTHER PERSON OR USED FOR ANY OTHER PURPOSE WITHOUT WRITTEN CONSENT OF MAYFAIR PERFORMANCE INC.. BREACH OF THIS CONTRACT WILL HOLD ..... AND IT'S PRINCIPALS LIABLE FOR LOSS AND DAMAGES.

MAYFAIR PERFORMANCE

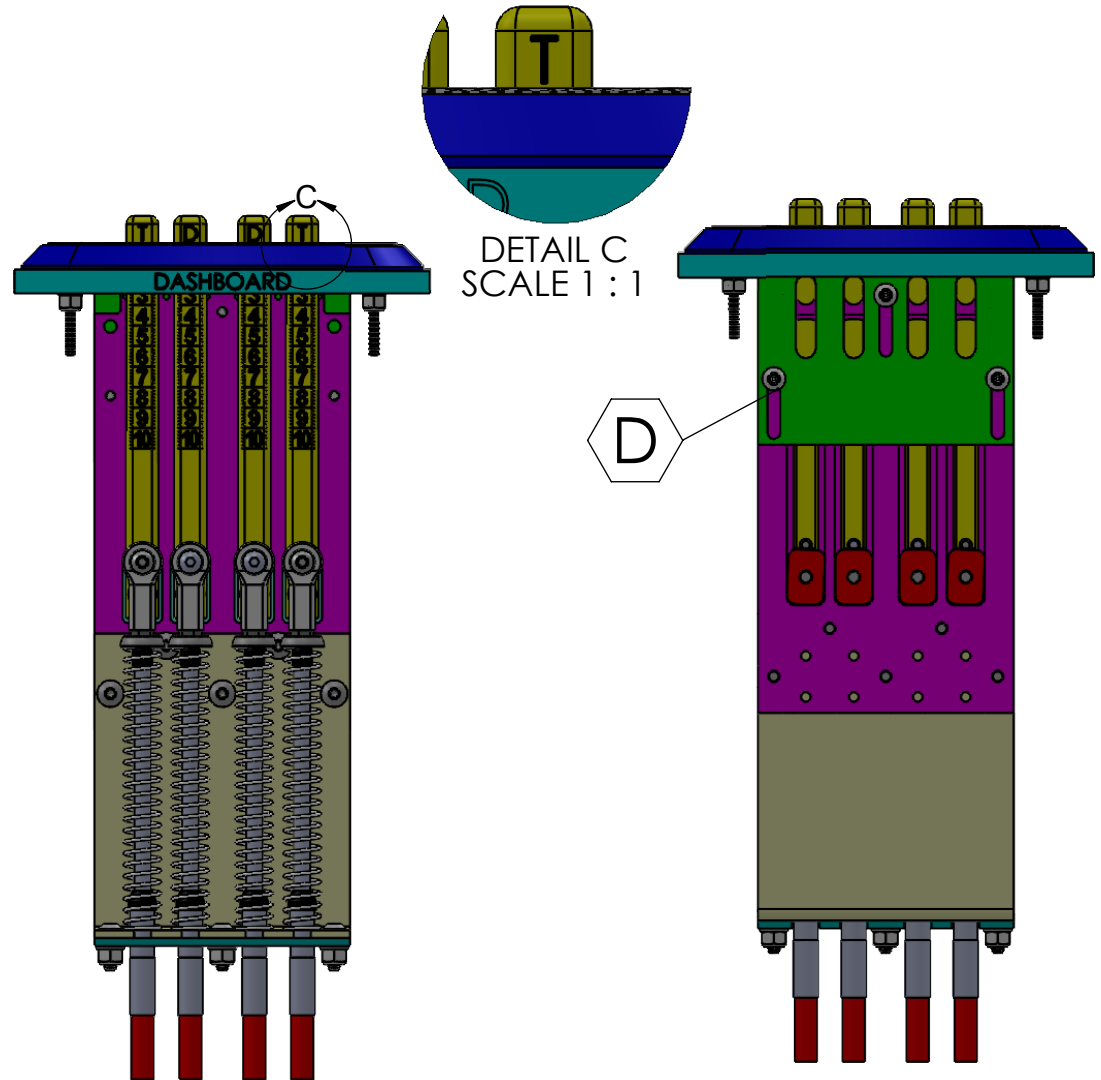
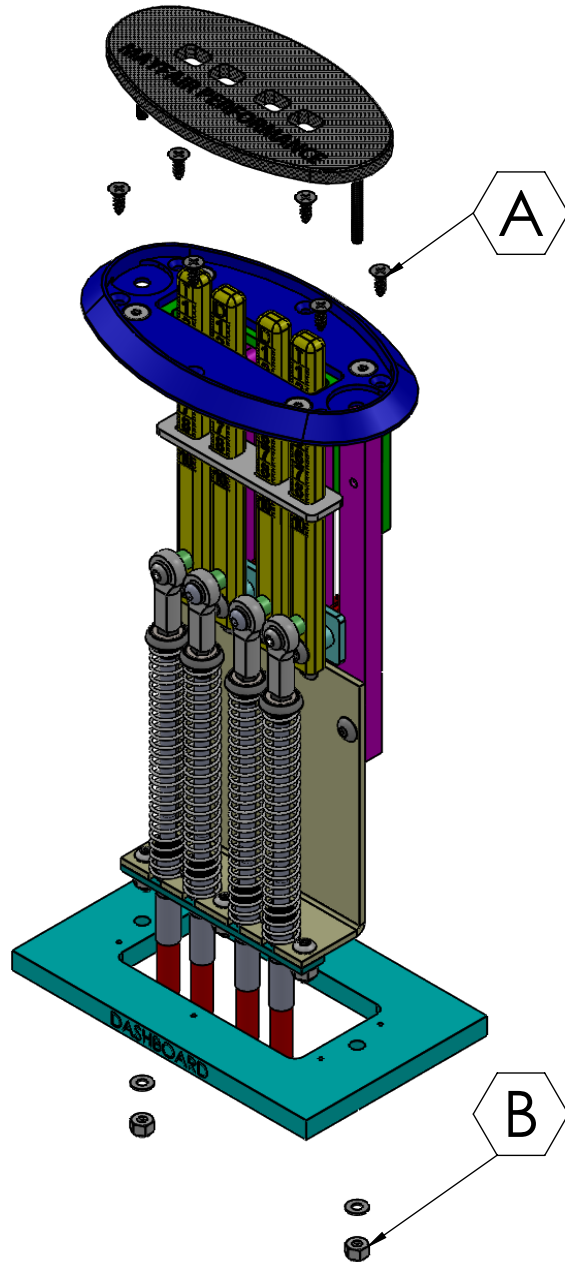
PART NO.  
137-8581

TITLE: MECHANICAL HEADS UP INDICATOR  
THRU DASH INSTALLATION

www.mayfairperformance.com

THRU DASH 1,2,3 & STICKS INSTALLATION INSTRUCTONS:

- 1) AFTER THE CABLES HAVE BEEN INSTALLED AND CARBON COVER REMOVED.
- 2) SLIDE ASSEMBLY THROUGH THE DASH.
- 3) USE THE (6)#8 SCREWS, FIG. A, TO ATTACHED TO THE DASH.
- 4) APPLY ANTI-SIZE TO THE STUDS ON THE CARDON COVER AND INSTALL.
- 5) FROM UNDER THE DASH INSTALL THE #10 NUTS AND WASHERS, FIG. B. USE A 11/32 SOCKET TO GENTLE SNUG DOWN THE COVER.
- 6) LOOK AT DETAIL C. MAKE SURE THE TOP LINE IS EVEN WITH THE CARBON COVER. IF NOT, USING 1/4 ALLEN KY AND LOSING THE 3 BOLTS, FIG. D, TO SLIDE THE ASSEMBLY INTO PROPER HEIGHT.



THIS DRAWING IS CONFIDENTIAL AND IS SUPPLIED ON EXPRESS CONDITION THAT IT SHALL NOT BE LENT, COPIED OR DISCLOSED TO ANY OTHER PERSON OR USED FOR ANY OTHER PURPOSE WITHOUT WRITTEN CONSENT OF MAYFAIR PERFORMANCE INC.. BREACH OF THIS CONTRACT WILL HOLD ..... AND IT'S PRINCIPALS LIABLE FOR LOSS AND DAMAGES.