

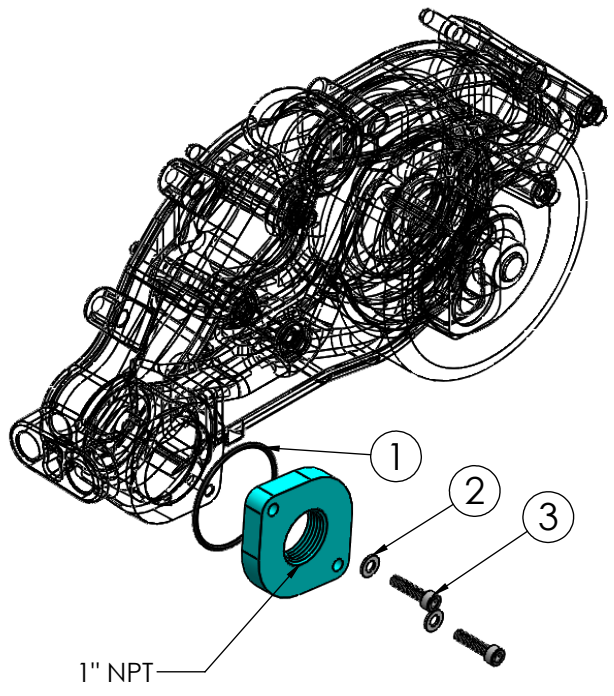
HARDIN 11 Industry Dr. Palm Coast, FL 32137  
MARINE 386-445-2500 / FAX 386-445-1122

PART NO.  
625-4533

TITLE:  
LS 1"NPT WATER INLET COVER

www.hardin-marine.com

ITEM NO.	PART NUMBER	DESCRIPTION	QTY.
1	625-1140	O-RING	1
2	90025AN-STSS	WASHER, 1/4 AN	2
3	900M06C025SHS	BOLT,SHCS,6MMx25	2



Installation Instructions:

- 1) Mounting holes are slotted to match the different water pump bolt pattern.
- 2) Apply grease to #1 o-ring and install into the groove on the backside of the water inlet cover.
- 3) Apply anti-sieze to #3 bolts.
- 4) Install cover using #2 washer and #3 bolts. Using 5MM allen socket, torque to 10 ft. lbs..

