

The product must be installed according to the specified instructions. Failure to comply may result in personal injury, vessel/vehicle damage, and/or product failure. Installation by a trained electrician is recommended by AquaAmp. Damage and/or injuries caused by improper installation are not covered by the warranty.

WARNING:

Only a 12V DC or 24V DC battery/power supply should be used with this device.

Before installing, the power supply must be turned off.

Between the battery/power supply and the product, an appropriate fuse or circuit breaker must be utilized.

Before turning on the electricity, double-check that all wiring is polarized correctly. High voltages may be included in this product. Do not alter the product in any way. This product is not intended for use in potentially hazardous or flammable environments.

Do not install in a hazardous/flammable environment, such as engine rooms. Make sure the space behind the mounting point is clear of wires, fuel, and any other potentially hazardous things before drilling any holes.

Ensure that any holes cut do not considerably degrade the surface's structure. If the product must be installed outside, it must be installed safely above the waterline and not in danger of being submerged.

A metallic surface prevents the product from charging.

CAUTION:

The item is designed to charge Qi compatible devices only.

The cable must be kept in place and not obstruct mechanical systems.

There are no user-serviceable components in this product. In no way attempt to repair or modify the product.

The device's high friction top surface does not guarantee that it will not slip during strong acceleration and deceleration working situations.

A phone case thicker than 3mm may prevent the smartphone from charging.

The product may temporarily shut down if used in a hot environment or in direct sunlight; this is a safety feature of the electronics.

The IP rating is only valid if the instructions are followed correctly. Avoid mounting near heat-radiating appliances and in poorly ventilated spaces when choosing a placement.

EMC INSTALLATION GUIDELINES:

To ensure that electromagnetic interference between equipment is minimized, AquaAmp devices comply with Electromagnetic Compatibility (EMC) requirements.

To keep electromagnetic interference to a bare minimum, proper installation is essential.

WIRING:

When extending the wire from your battery/power source to the product, make sure there is a continuous supply of at least 10V. For any length of cable extension, we recommend an 18AWG (0.82mm²) wire gauge.

This diagram shows how the product should be linked to a 12V or 24V DC battery or power supply.



ENVIRONMENTAL PROTECTION:

Electrical trash should not be thrown out with household garbage. Please recycle wherever possible. For recycling advice, contact your local government or a merchant.

IMPORTANT:

AquaAmp LLC disclaims all liability for any injuries or other damages resulting from the use of their products in any situation.

WARRANTY:

The non-transferable 2-year warranty covers only this AquaAmp product and not any devices mounted in or on it. Users' devices are not covered by a guarantee, and they subject them to known and unknown hazards at their own risk.

FCC WARNING:

This device complies with part 15 of the FCC Rules. Operation is subject to the following two conditions: (1) This device may not cause harmful interference, and (2) this device must accept any interference received, including interference that may cause undesired operation.


Any changes or modifications not expressly approved by the party responsible for compliance could void the user's authority to operate the equipment.

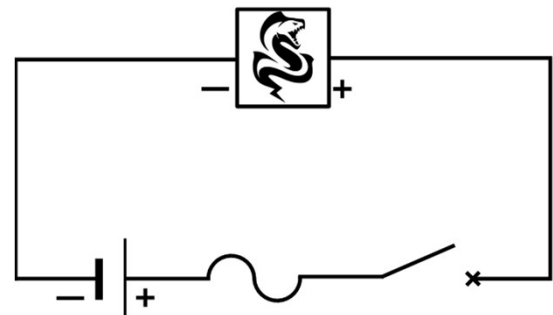
This equipment has been tested and found to comply with the limits for a Class B digital device, pursuant to part 15 of the FCC Rules. These limits are designed to provide reasonable protection against harmful interference in a residential installation. This equipment generates uses and can radiate radio frequency energy and, if not installed and used in accordance with the instructions, may cause harmful interference to radio communications. However, there is no guarantee that interference will not occur in a particular installation. If this equipment does cause harmful interference to radio or television reception, which can be determined by turning the equipment off and on, the user is encouraged to try to correct the interference by one or more of the following measures:

- Reorient or relocate the receiving antenna.
- Increase the separation between the equipment and receiver.
- Connect the equipment into an outlet on a circuit different from that to which the receiver is connected.
- Consult the dealer or an experienced radio/TV technician for help.

FCC RF exposure statement:

The equipment complies with FCC radiation exposure limits set forth for an uncontrolled environment. This equipment should be installed and operated with a minimum distance between 20cm of the radiator and your body. FCC ID: XXXX

 AquaAmp LLC certifies that this product complies with the EMC CE-RED Directive (2014/53/EU) and the EN 62368 standard. The CE compliance certificate can be accessed at aquaamp.com.



Contact:

orders@aquaamp.com

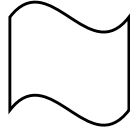
1108 Eldridge St, Clearwater, FL 33755

For further information visit www.aquaamp.com

Parts Provided

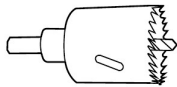


Wireless Charger



Alcohol Wipe

Tools Required



2.5" Hole Saw



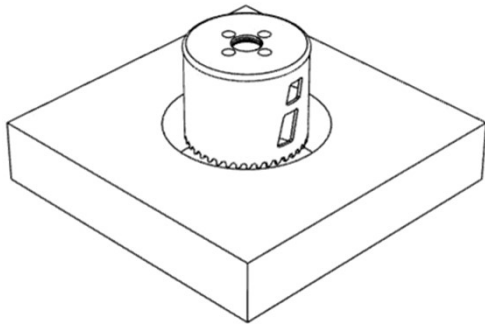
Electric Drill

Technical Information

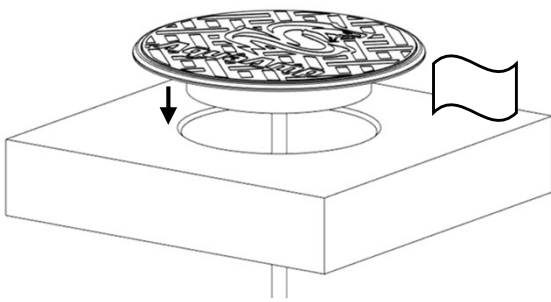
Input Voltage Range	10-30V DC (12 / 24V system)
Input Current Max	2A
Output Power	10W (9V, 1.1A)
Standby current Draw	< 0.1W
Waterproof rating	IPx6 front and back
Certifications	Qi, CE, FCC, ROHS, UNECE R10 E24, RCM

Installation Guide

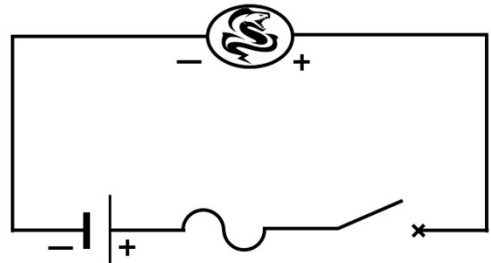
Step 1: Drill or Cut 2.5" hole



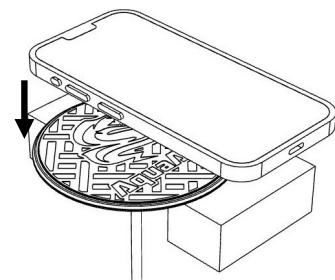
Step 2: Use provided alcohol wipe to clean application surface. Remove adhesive backing from the wireless charger and insert the charger into hole



Step 3: Using a 2A fuse, attach wires to a 12/24V power supply and ensure there is a waterproof connection



Step 4: Make sure the charger was installed correctly by placing a wireless charging compatible device in the center of the charger. Check that the device is charging a few seconds after it is placed.



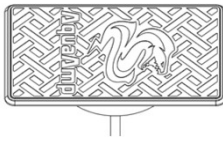
Contact:

orders@aquamp.com

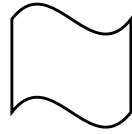
1108 Eldridge St, Clearwater, FL 33755

For further information visit www.aquaamp.com

Parts Provided

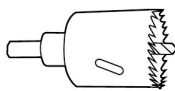


Wireless Charger

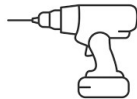


Alcohol Wipe

Tools Required



2.5" Hole Saw



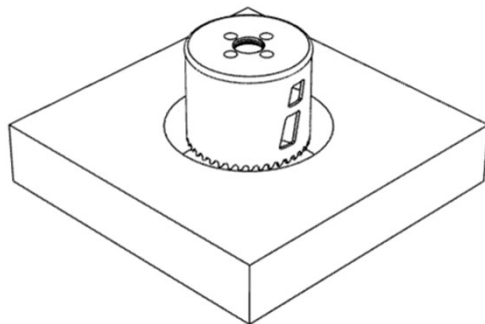
Electric Drill

Technical Information

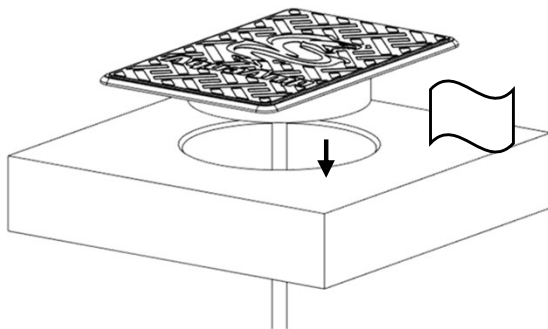
Input Voltage Range	10-30V DC (12 / 24V system)
Input Current Max	2A
Output Power	10W (9V, 1.1A)
Standby current Draw	< 0.1W
Waterproof rating	IPx6 front and back
Certifications	Qi, CE, FCC, ROHS, UNECE R10 E24, RCM

Installation Guide

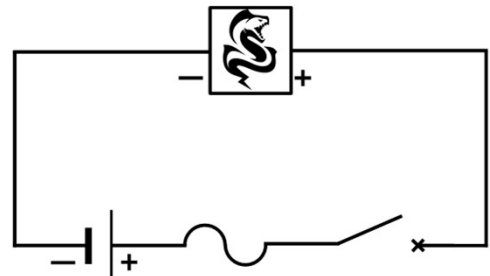
Step 1: Drill or Cut 2.5" hole



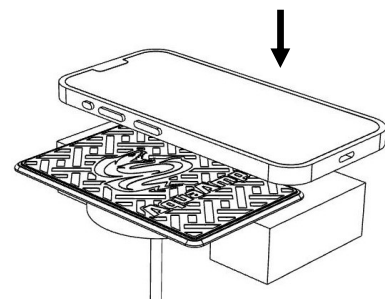
Step 2: Use provided alcohol wipe to clean application surface. Remove adhesive backing from the wireless charger and insert the charger into hole



Step 3: Using a 2A fuse, attach wires to a 12/24V power supply and ensure there is a waterproof connection.



Step 4: Make sure the charger was installed correctly by placing a wireless charging compatible device in the center of the charger. Check that the device is charging a few seconds after it is placed.

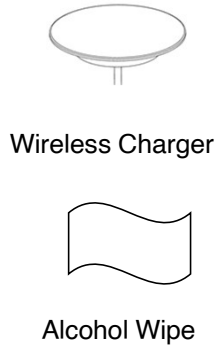


Contact:

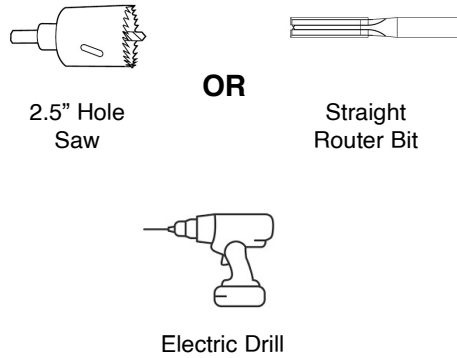
orders@aquamp.com
1108 Eldridge St, Clearwater, FL 33755

For further information visit www.aquaamp.com

Parts Provided



Tools Required



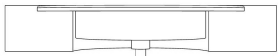
Technical Information

Input Voltage Range	10-30V DC (12 / 24V system)
Input Current Max	2A
Output Power	10W (9V, 1.1A)
Standby current Draw	< 0.1W
Waterproof rating	IPx6 front and back
Certifications	Qi, CE, FCC, ROHS, UNECE R10 E24, RCM

Installation Guide

Step 1: Determine whether the charger is to be installed flush with the surface (figure 1) or above the surface (figure 2). If the charger will be installed flush with the surface, refer to Step 2(a), otherwise, refer to Step 2(b).

Figure 1

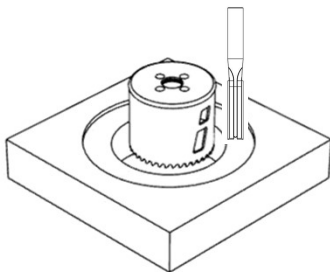


OR

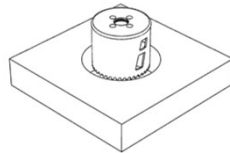
Figure 2



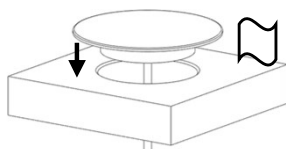
Step 2(a): Route a 3.75" (95.0mm) diameter and 0.1" (2.5mm) deep pocket into the installation surface and drill or cut a 2.5" hole in the center of the pocket.



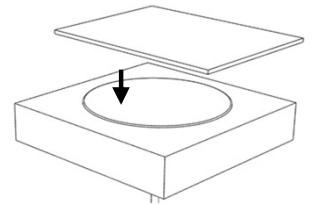
Step 2(b): Drill or cut a 2.5" hole



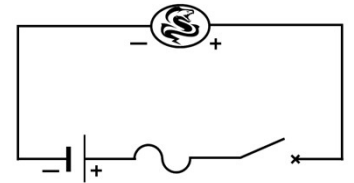
Step 3: Use provided alcohol wipe to clean application surface. Remove adhesive backing from the wireless charger and insert the charger into hole.



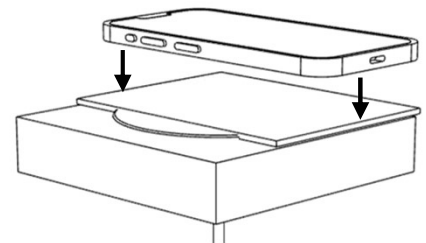
Step 4: Making sure the charging emblem is centered over the installed charger, place your choice of non-metallic marine grade material over the surface of the device. The material chosen must be less than 0.1" (3.0mm).



Step 5: Using a 2A fuse, attach wires to a 12/24V power supply and ensure there is a waterproof connection



Step 6: Make sure the charger was installed correctly by placing a wireless charging compatible device in the center of the charger. Check that the device is charging a few seconds after you place it on the wireless charger.

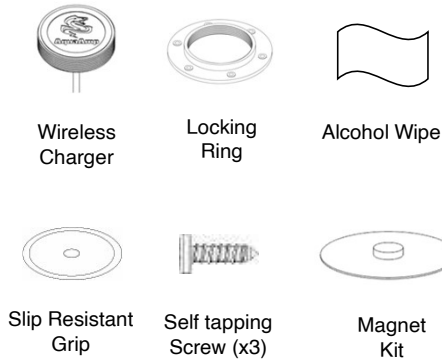


Contact:

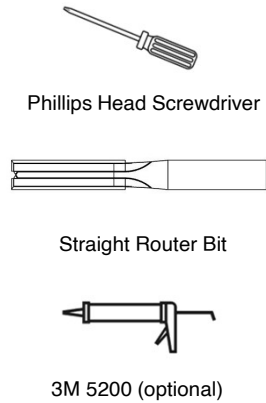
orders@aquamp.com
1108 Eldridge St, Clearwater, FL 33755

For further information visit www.aquamp.com

Parts Provided



Tools Required

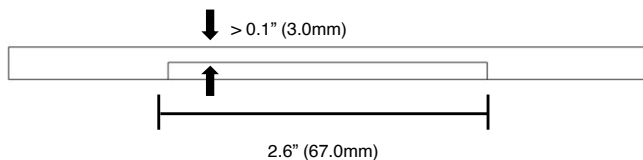


Technical Information

Input Voltage Range	10-30V DC (12 / 24V system)
Input Current Max	2A
Output Power	10W (9V, 1.1A)
Standby current Draw	< 0.1W
Waterproof rating	IPx6 front and back
Certifications	Qi, CE, FCC, ROHS, UNECE R10 E24, RCM

Installation Guide

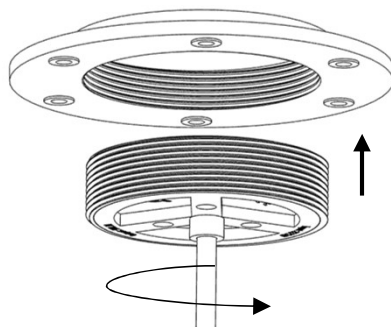
Step 1: If the wireless charger will be installed in material greater than 3mm thick, route a 2.6" (67.0mm) diameter pocket until the pocket is 0.1" (3.0mm) from the surface, otherwise, skip to step 2.



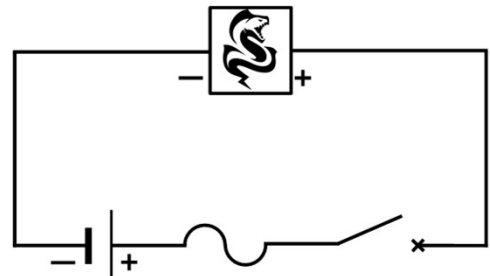
Step 2: Insert the magnetic alignment tool into the routed pocket or lock ring and use the provided magnet to find the center of the charging area on the surface. Clean the charging area surface with the provided alcohol wipe and apply the slip resistant grip.



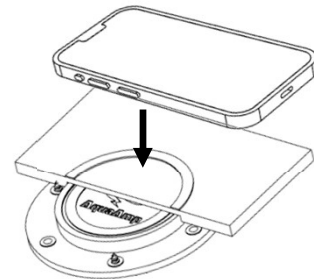
Step 3: Insert the charger into the locking ring and turn until it is firmly in place.



Step 4: Using a 2A fuse, attach wires to a 12/24V power supply and ensure there is a waterproof connection.



Step 5: Make sure the charger was installed correctly by placing a wireless charging compatible device in the center of the charger. Check that the device is charging a few seconds after you place it on the wireless charger.



Contact:

orders@aquamp.com
1108 Eldridge St, Clearwater, FL 33755

For further information visit www.aquamp.com