

4

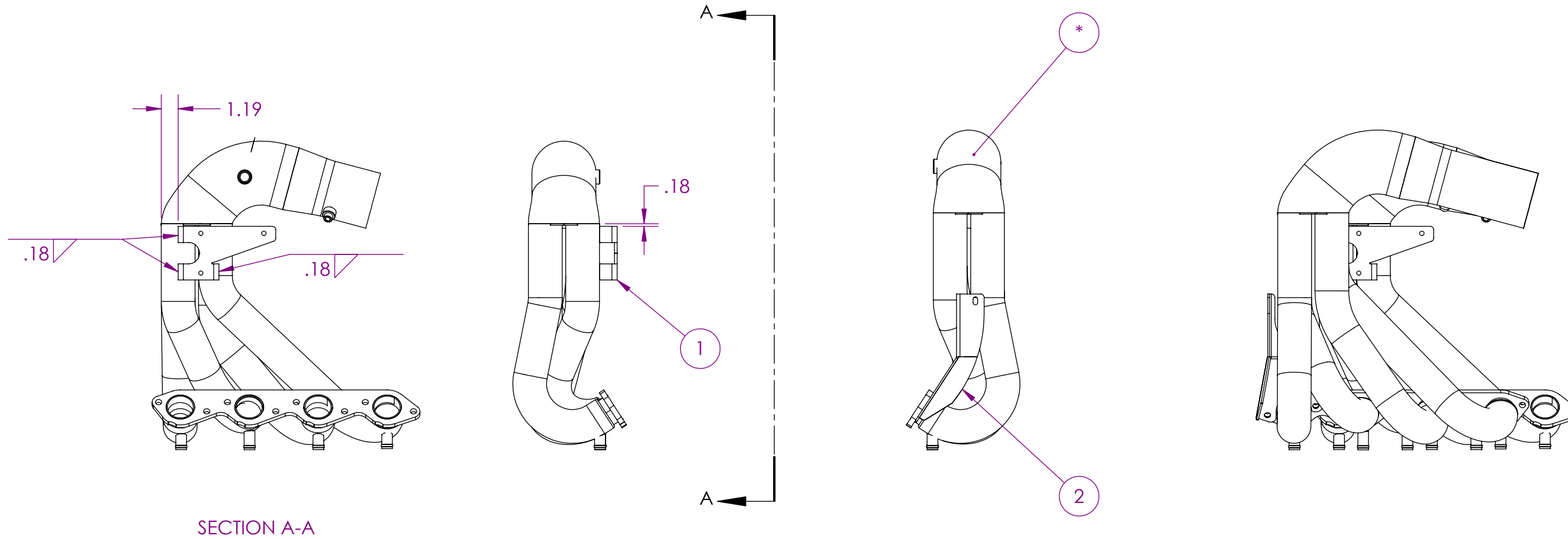
3

2

CMI MATERIAL NUMBER

NOTES:  
 1. PREFINISH BRACKETS SAME AS HEADERS  
 2. HEADER: EX-1863-100

ITEM NO.	PART NUMBER	DESCRIPTION	Default/ QTY.
1	EX-1863-401	ELECTRIC SHIFT BRACKET	1
2	EX-1863-402	OIL FILTER BRACKET	1



DEPARTMENT

**CUSTOM MARINE INCORPORATED**  
 NEENAH, WI

PREPARED TJP 3/8/2018  
 CHECKED  
 ENGINEER

DESCR. MAG 8.2 EC BRACKETS

UNLESS OTHERWISE SPECIFIED  
 DIMENSIONS ARE IN INCHES  
 DIMENSIONAL TOLERANCING:  
 2 PLACE ±.03  
 3 PLACE ±.005  
 ANGLES ±1°

CUSTOM MARINE INCORPORATED RESERVES  
 PROPRIETARY RIGHTS TO THIS DRAWING AND  
 THE DATA SHOWN THEREON. SAID DRAWING  
 AND/OR DATA ARE CONFIDENTIAL AND ARE  
 NOT TO BE USED OR REPRODUCED FOR ANY  
 PURPOSE WITHOUT THE WRITTEN CONSENT  
 OF CUSTOM MARINE INCORPORATED.

SIZE B WEIGHT LBS. DWG. NO. EX-1863-400 REV. A

DO NOT SCALE DRAWING

THIRD ANGLE PROJECTION



SCALE 1:8 MATERIAL: SHEET 1 OF 1

REVISIONS					
ECN #	REV.	DESCRIPTION	BY	CHK'D	DATE
	A	NEW PART	TJP		3/8/2018

4

3

2

1