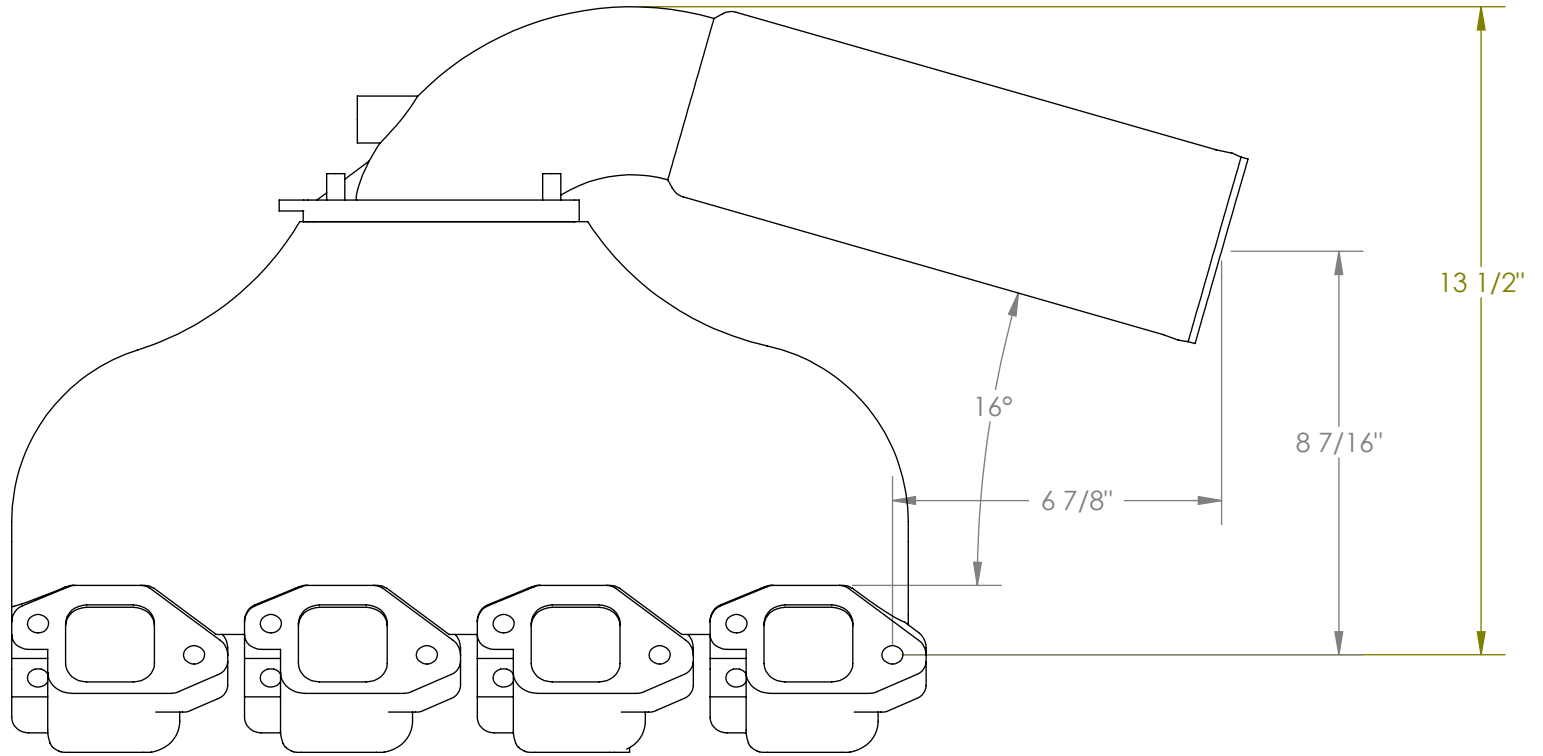


THE INFORMATION CONTAINED IN THIS DRAWING IS THE SOLE PROPERTY OF IMCO. ANY RE-PRODUCTION, IN PART OR WHOLE, WITHOUT THE WRITTEN PERMISSION OF IMCO IS PROHIBITED.



UNLESS OTHERWISE SPECIFIED  
DIMENSIONS ARE IN INCHES.  
TOLERANCES ARE:

DECIMALS      ANGLES

CAD GENERATED DRAWING,  
DO NOT MANUALLY UPDATE

APPROVALS	DATE
DRAWN RT	10/11/05
CHECKED	
MFG ENG	
QUAL ENG	

**IMCO**

POWERFLOW - Big Block  
A - Type Riser  
Starboard Side

MATERIAL

FINISH

DWG. NO.

REV.

**A**

CAD FILE: PF-82AK-Star

SHEET 1 OF 1