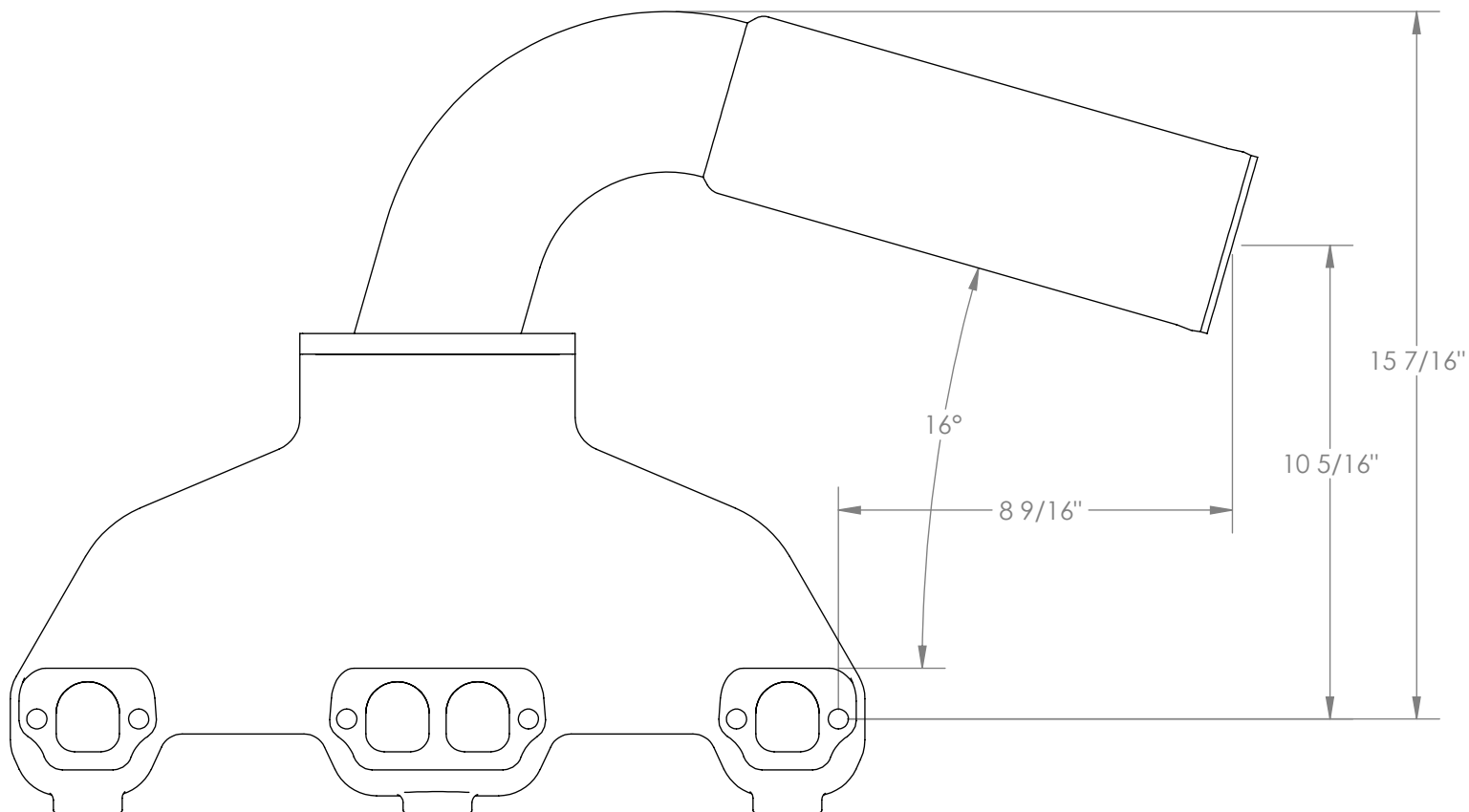



THE INFORMATION CONTAINED IN THIS DRAWING IS THE SOLE PROPERTY OF IMCO. ANY RE-PRODUCTION, IN PART OR WHOLE, WITHOUT THE WRITTEN PERMISSION OF IMCO IS PROHIBITED.



UNLESS OTHERWISE SPECIFIED DIMENSIONS ARE IN INCHES. TOLERANCES ARE:		CAD GENERATED DRAWING, DO NOT MANUALLY UPDATE		 POWERFLOW - SM. BLK A - Type Riser 3" Starboard Side	
DECIMALS	ANGLES	APPROVALS	DATE		
		DRAWN RT	10/11/05		
MATERIAL		CHECKED			
		MFG ENG			
FINISH		QUAL ENG			
				DWG. NO.	REV. A
				CAD FILE: PF-82AK - Starboard	SHEET 1 OF 1